



Lower Extremity
Prosthetics
Product Catalog

Fillauer®

Lower Extremity
Prosthetics
Product Catalog

Fillauer[®]

Fillauer®



George Fillauer Sr.

1914

George Fillauer Sr., a German immigrant, opens the Red Cross Pharmacy in Chattanooga, Tennessee.



Top: Red Star Pharmacy with George Fillauer Sr. and sons George Jr. and Carlton

Bottom: Lawrence Porten and Carlton Fillauer fitting a patient

1920 – 1930s

Red Cross Pharmacy, now Red Star Pharmacy, expands its services and hires German “orthomeister” Lawrence Porten to provide orthotic and prosthetic devices for veterans returning from World War I.

George’s sons, George Jr. and Carlton, join the company. George Jr. becomes a pharmacist and Carlton an orthotist-prosthetist.



George Fillauer Jr. and Carlton Fillauer

1940s

Carlton Fillauer becomes the first staff prosthetist named to the National Research Committee on Prosthetic Devices before returning to Fillauer Drug & Surgical Supplies in 1949.

Feet
Adapters
Valves
Locks
Sleeves & Liners
Knees
Cosmetic Solutions
Auxiliary Suspension
Pediatric



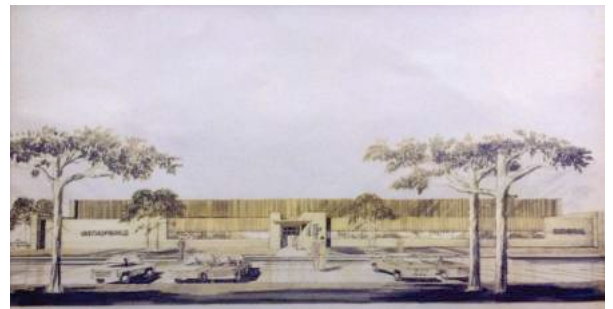
1950 – 1960s

Carlton Fillauer is among the first class of practitioners to be certified by the American Board for Certification in Orthotics and Prosthetics (ABC) and was a charter member of the American Academy of Orthotists and Prosthetists (AAOP). In 1955, George Sr. retires and George Jr. takes over as president.

Carlton also serves as president of ABC in 1957 – 1958 and president of AOPA in 1962 – 1963.

1972

Fillauer merges with pharmaceutical and surgical company Durr Drug. The merge provides Fillauer with expansion and sales growth in surgical and orthopedic supplies.



DURR-FILLAUER MEDICAL, INC.



1993

Bergan Brunswig Corp., now Cardinal Health, acquires Durr-Fillauer in a hostile takeover seeking its pharmaceutical and surgical supply divisions. Karl Fillauer and a group of investors purchase the orthotic and prosthetic divisions to form Fillauer, Inc.



1996 – 1999

Fillauer begins a steady expansion, acquiring such companies as Hosmer, in 1996, and Motion Control, in 1997, which collectively brings in a strong upper-extremity product line, both body powered and myoelectric. The Center for Orthotic Design, acquired in 1999, develops a new version of the reciprocating gait orthosis.



Top: The Hosmer 5XA Hooks

Bottom: The Motion Control ETD and Hybrid Arm



Trautman™ Bench Carver



Dynamic Walk

2000s

Fillauer continues expansion, acquiring Swedish-based Centri AB in 2002, adding gloves, liners, and protective leg coverings, in addition to other orthotic and prosthetic components. In 2005, the Trautman™ equipment line is added to Fillauer LLC. In 2008, Fillauer started Emotis, its first joint venture, which uses advanced composite materials to produce prosthetic feet. Most recently, in 2009, Fillauer purchases OTS Corp., a high-end provider of orthotic componentry, including the StepLock knee joint, and PDQ® Ovens for O&P fabrication.



PDQ® BT-4 Oven

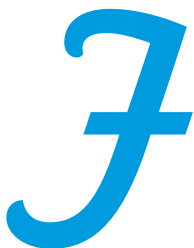


AllPro Foot

2017

Today, Fillauer's mission is to be a leader in the evolution, design, and technology of orthotic and prosthetic products and services that empower clinicians and patients to achieve their best functional outcomes.

Led by the fourth generation, Michael Fillauer, CPO/L is President & CEO of Fillauer Companies, Inc. where he and his brother David Fillauer serve on the board. Fillauer encompasses Fillauer LLC, Motion Control, Fillauer Composites (formerly Emotis), Fillauer North Carolina (formerly OTS Corp.), Fillauer Europe (formerly Centri), and Fillauer Orthotics and Prosthetics.



Fillauer US Limited Warranty

In the event of a defect, malfunction or other failure of the product during the warranty period, not caused by any of those items set forth in Exclusions below, Fillauer shall quickly remedy such failure or defect within a reasonable period of time. The remedy shall consist of repair or replacement of the product at Fillauer's sole discretion. Replacement units may be either new or reconditioned units in near-new condition. Determination of the damages or defects to be covered under the Limited Warranty shall be made by Fillauer. The customer is responsible for shipping costs to Fillauer, and Fillauer shall pay return shipping costs to customer. Consumables are not warranted.

Exclusions

The warranty does not include:

1. Wear and tear.
2. Use, fabrication or installation outside Fillauer's recommendations.
3. Orthotic and Prosthetic services for fitting and maintaining the orthosis or prosthesis made and used with the equipment.
4. Damage caused by neglect, misuse or improper operation.
5. Damage due to accident, fire, water, vandalism, unsuitable environmental conditions, or parts not approved or recommended by Fillauer.
6. Modifications to the product which occur during the warranty period except by mutual consent of the parties in writing.

Orthotic and Prosthetic Components, Equipment, and Custom Fabrication Items

are warranted for 12 months from the date of shipment from a Fillauer warehouse or from an authorized Fillauer distributor with the following exceptions:

Oven heating elements, Suspension Sleeves and Silicone Gloves

are warranted for 90 days from the date of shipment from a Fillauer warehouse or from an authorized Fillauer distributor.

Prosthetic Liners, Dream Skin, Foot Shells, Cosmetic Gloves, Tools, and Trautman Accessories

are warranted for 6 months from the date of shipment from a Fillauer warehouse or from a Fillauer authorized distributor.

Hosmer Hooks and Elbows, Motion Arm, Utah Arm, E2 Elbow and ProControl 2

are warranted for 24 months from the date of shipment from a Fillauer warehouse or from a Fillauer authorized distributor. Extended warranties of two years are also available.

Repairs

made by Fillauer are warranted for 90 days from the date of shipment from a Fillauer warehouse or from a Fillauer authorized distributor.

Feet

are warranted for 12, 24, or 36 months from the date of patient fitting.

12 months: Obsidian Blades

24 months: Formula

36 months: AllPro, AllPro XTS, Aeris Activity, Aeris Performance 2, Aeris Performance LP, Ibex XD, Element, and Wave Comfort 3

Taska™ Hands

are warranted for 3 years from the date of patient fitting. Extended warranties available.

Returns, Adjustments, and Credits

- Inspect all goods immediately upon receipt for damage or errors in shipping.
- Call Customer Service within five business days in the event of errors or damage.
- Prior approval and an RMA number must be obtained from Customer Service before goods may be returned.
- Returns must be accompanied by a copy of original invoice, order number, or PO number. The return authorization number, provided by Customer Service, must appear on the shipping label.
- Credit for returned merchandise is subject to inspection and may be subject to a 15% restocking fee for merchandise in resalable condition if returned within 90 days.
- No credit shall be issued for goods returned after 90 days.
- No credit shall be issued for equipment, custom or special order items, including Taska Hands.
- No credit shall be issued for non-stock items returned after 30 days.

Contents

Lower Extremity Prosthetics

Fillauer US Limited Warranty	6
------------------------------------	---

Feet

Direct Mount Feet	10
Posterior Mount Feet	11
AllPro	12
AllPro XTS	13
AllPro: Posterior Mount	14
Formula™	15
Obsidian DM	16
Obsidian PM / Sprint	17
Aeris Performance 2	18
Aeris Performance LP	19
Ibex XD	20
Wave Comfort 3	21
Motion Foot® SLX — Hydraulic Ankle	22
Adjustable Alignment Bracket	23
Posterior Mount Transfer Fixture	23
Posterior Mounting Brackets	23
ProCover	24
Foot Shell	25

Adapters

Aluminum 30 mm Pylon	28
30 mm Pylon with Adapter	28
30 mm Short Tube Adapter	28
DuraShock	29
DuraShock Short	30
DuraTwist	30
ALP-ALU 4-Hole Adapter	31
Pylon Tube Clamp with Pyramid Receiver	31
Dual Adapter	32
Double Adapter Pyramid Male / Female	32
4-Hole Pyramid Adapter	32
Rotatable Adapter	33
Rotatable Pyramid Adapter	33
4-Hole Adapter with Rotation	33
4-Prong BK Adapter with Pyramid	34
Above Knee Socket Adapter	34
Above Knee Rotatable Socket Adapters	35
Trans-Femoral Rotator	35
XD Heavy Duty 34 mm Pylon	36
XD Heavy Duty Tube Clamp Adapter for 34 mm Tube	36
XD Heavy Duty 4-Prong Pyramid	37
XD Heavy Duty 4-Prong Receiver	37

Valves

Prosthetic Valves	40
Red Dot Air Expulsion Valve	41
Plastic and Aluminum Screw-In Suction Valve	41
Leak-Rate Total Contact Valve	42
Sierra Screw-In Suction Valve	42
S.F.S. Valve (Scandinavian Flexible Socket)	43
CTFV-CSF Valve	44
CSS Valve	45
CSS Valve Kit with Pyramid Lamination Adapter	45

Locks

Lock System Chart	48
Original Shuttle Lock	49
Modular Shuttle Lock with Titanium Pyramid	50
Modular Shuttle Lock with Delrin Housing	51
Modular Shuttle Lock with Cylindrical Housing	52
Modular Shuttle Lock with 4-Hole Housing	53
Cylindrical Lock	54
Gator Grip with Ti Pyramid Lock	55
Gator Grip Delrin Lock	56
Gator Grip Cylindrical Lock	57
Clutch Lock with Titanium Pyramid	58
Clutch Lock with Delrin Housing	59
Clutch Lock with Cylindrical 4-Hole Housing	60
Shuttle Vac	61
Shuttle Lock Plungers	62
Gator Grip Plungers	62
Clutch Lock Plungers	62
Lanyard Plunger	62
Small Delrin Shuttle Lock Plungers	62
Lock Device Plungers	62
Latch Pins	63
Cord Lock	63

Sleeves & Liners

Absolute Preflexed Sleeve	66
Absolute Straight Sleeve	67
Absolute Straight Sleeve – No Fabric	68
Custom Made Liner	69

Knees

Endurance Hydraulic 160 Knee System	72
Hydraulic Control	73
Spectrum EX 4-Bar Pneumatic Knee	74
W.A.L.K. (Weight Activated Locking Knee)	75
S.A.F.K. (Single Axis Friction Knee)	76

S.A.L.K. (Single Axis Locking Knee)	77
MightyMite® 4-Bar Knee	78
MightyMite® 4-Bar Knee Proximal Attachments	78

Cosmetic Solutions

Dream Skin	80
Foam Fairings for Transtibial Prosthesis	81
Expanded Pe-Lite™ Leg Covers for Transtibial Prosthesis	81
Foam Covers	81

Auxiliary Suspension

PTB Cuff Suspension	84
RMB Bar Channel Assembly for Supracondylar Suspension	84
Femoral Plastisol Condylar Wedges	85
Transtibial Waist Belt	85
Silesian Belt Kit Transfemoral Belt	86
Universal Silesian Belt Kit	86
Socket Attachment Plate for Silesian Belt	86

Pediatric

AllPro: Pediatric	88
Pediatric Formula™	89
MightyMite® SACH Feet	90
MightyMite® SACH Foot Adapter	91
MightyMite® SACH Growth Compensation Spacer	91
MightyMite® 22 mm Pylons	92
MiniShock	93
MightyMite® BK Tube Clamp	93
MightyMite® 4-Hole Adapter	94
MightyMite® 4-Hole Distal Attachment Blocks	94
MightyMite® Alignment Adapter	95
MightyMite® BK Socket Adapter	95
MightyMite® Rotatable Pyramid Receiver	96
MightyMite® 4-Hole Adapter with Rotation	96
MightyMite® AK Socket Adapter	96
MightyMite® 4-Bar Knee	97
MightyMite® 4-Bar Knee Proximal Attachments	97
Small Modular Shuttle Lock with Delrin Housing	98
MightyMite® Modular Shuttle Lock with Titanium Pyramid	99
MightyMite® Shuttle Lock with Cylindrical Housing	100
Mini Shuttle Lock	101
Index by Description	103



Feet

Direct Mount Feet

Foot	Sizes	Weight Limit	Weight	Build Height	Indication
Obsidian DM		330 lbs. 150 kg	19.4 oz. (550 g) 8.5 oz. (240 g)	10.75 in. (27.3 cm) 6.3 in. (16 cm)	K3 and K4 amputees who desire to run. Especially suited for distances over 100 meters due to the split toe helping amputees maintain speed and balance in a turn and on uneven terrain. Available for pediatric cases.
AllPro DM	19 – 30 cm	330 lbs. 150 kg	15.9 oz. 450 g	6 in. (15.2 cm) 8 in. (20.3 cm) 10 in. (25.4 cm) 12 in. (30.5 cm)	K3 and K4 amputees who need maximum shock absorption, energy return, and flexibility. Amputees who are looking for an everyday walking foot with professional competition level performance. Patients also benefit from the ability to use a foot shell and change from a dress shoe to their cleats. Available for pediatric cases.
AllPro XTS	22 – 30 cm	250 lbs. 113 kg	25.6 oz. 728 g	6.4 in. (16.3 cm) 8.4 in. (21.3 cm)	Moderate to very high activity transtibial or transfemoral amputees as defined by functional K3 and K4 activity levels. Unilateral or bilateral patients. Patients that would benefit from high energy return and shock/torsion absorption.
Motion Foot® SLX	22 – 30 cm	276 lbs. 125 kg	23.5 oz. 665 g	4.1 in. 10.4 cm	Moderate to active transtibial or transfemoral amputees as defined by functional K3 activity levels. Unilateral or bilateral patients. Patients that would benefit from ground compliance on uneven terrain, specifically those with weakness of knee musculature.
Aeris Performance 2	22 – 30 cm	330 lbs. 150 kg	18.5 oz. 525 g	4.1 in. 10.4 cm	K3 and K4 amputees who want to go from the office to the field and either need a cosmetic cover or cannot get approved for a shock pylon foot (AllPro). Provides terrain compliance without sacrificing energy return.
Aeris Performance LP	22 – 30 cm	275 lbs. 125 kg	15.9 oz. 450 g	5.1 in. 13 cm	K3 patients who need the energy return of a multi-spring carbon composite foot with good stability and multi-axial function at a lower build height.
Ibex XD	25 – 30 cm	440 lbs. 200 kg	21.2 oz. 602 g	7.63 in. 19 cm	K3 and K4 amputees who weigh 330 – 440 lbs. (150 – 200 kg) or frequently carry objects that put them over 330 lbs.
Wave Comfort 3	22 – 30 cm	330 lbs. 150 kg	13.2 oz. 375 g	4 in. 10 cm	Designed for low to mid K3 transtibial and transfemoral amputees needing good shock absorption and stability on uneven terrain with 36° of inversion/eversion. Particularly beneficial for K3 transfemoral and all higher level amputations due to early advancement to foot flat.

Posterior Mount Feet

Foot	Sizes	Weight Limit	Weight	Build Height	Indication
Obsidian Sprint		275 lbs. 125 kg	35 oz. 1000 g	3.0 in. 7.6 cm	K4 amputees who desire to sprint (primarily distances 800 meters or less). Especially suited for distances over 100 meters with the split toe variant, helping amputees maintain speed and balance in a turn. Posterior mounted feet allow patients with longer limbs to be fit with a blade when build height is an issue. This device has been specifically designed around the need of competitive athletes and requires exception muscle control and strength.
Obsidian PM		330 lbs. 150 kg	28 oz. 800 g	2.0 in. 5.1 cm	K4 amputees who desire to run. Especially suited for distances over 100 meters due to the split toe helping amputees maintain speed and balance in a turn and on uneven terrain. Posterior mounted feet allow patients with longer limbs to be fit with a blade when build height is an issue. The longer carbon spring also gives greater energy return that is best controlled by patients with strong thigh musculature and/or long limbs.
AllPro PM	22 – 30 cm	330 lbs. 150 kg	21 oz. 600 g	4.0 in. 10 cm	The added length of the posterior mounted AllPro allows patients with longer limbs to be fit with a high performance foot when build height is an issue. The longer carbon spring also gives greater energy return that is best controlled by patients with strong thigh musculature and/or long limbs.
Formula™	22 – 31 cm	330 lbs. 150 kg	24 oz. 675 g	3 in. 7.6 cm	The Formula foot offers the greatest energy return of the posterior mount foot line with a very low sagittal plane profile both posteriorly and distally. The sole is formed by the practitioner to give the best possible roll-over shape and to allow a longer, carbon toe lever. This foot is best suited for strong transtibial amputees with longer residual limbs.
Formula™ Pediatric Standard	16 – 24 cm	125 lbs. 57 kg	11.6 oz. 330 g	1.5 in. 3.8 cm	The Pediatric Formula foot is the ideal balance of flexibility and power. A first of its kind, the Pediatric Formula is a high-performance, customizable, pediatric foot that grows with the child. The long, lightweight carbon pylon provides critical energy return through the posterior attachment, while the compact shape of the ankle simplifies cosmetic finishing without hindering performance.
Formula™ Pediatric Custom	16 – 24 cm	125 lbs. 57 kg	15 oz. 425 g Weight includes mounting bracket	1.5 in. 3.8 cm	The Custom Pediatric Formula has all the benefits of the standard foot, but includes a slotted pylon to allow up to 1 inch of vertical growth and simple height adjustment with the included mounting bracket.

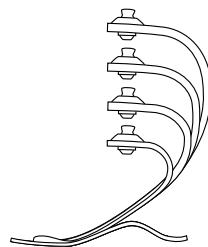
AllPro



- K3
- K4
- TT
- TF

Specifications

Weight limit: 330 lbs. (150 kg)	Build height
Heel height: 3/8 in. (10 mm)	12.0 in. (30.5 cm) (Adult only)
Product weight: 19.4 oz. (550 g) Size 27	10.0 in. (25.4 cm) (Adult only)
	8.0 in. (20.3 cm)
	6.0 in. (15.2 cm)



Product Features

- Versatile foot function adapts to all activities
- Industry-leading flexibility provides excellent plantar and dorsiflexion
- Split-Toe for multiaxial movement
- Carbon composite design for dynamic response
- Adjustable heel stiffness with replaceable bumper
- The RPI pyramid allows two different placements of the alignment in reference to the foot length. Either 30% or 35% of foot length for TF or TT respectively*

*Available on adult 8, 10, and 12 in. pylons only.

Ordering Information

- Includes foot and instruction manual
- Foot shell ordered separately

Product Number

Replace XX-XX with the correct length and weight details from the table below.

Model	Height	Foot Sizes	Product Number
AllPro Foot	6 in. (15.2 cm)	19 – 30 cm	137-106-XX-XX
AllPro Foot	8 in. (20.3 cm)	19 – 30 cm	137-108-XX-XX
AllPro Foot	10 in. (25.4 cm)	22 – 30 cm	137-110-XX-XX
AllPro Foot	12 in. (30.5 cm)	22 – 30 cm	137-112-XX-XX

ProCover

Replace XX with foot size: 22 – 30 cm



Color	Product Number
● 99	182-10-10XX

Foot Shell

Replace XX with foot size: 22 – 30 cm



Color	Left	Right
● 03	45-XX-13-03-3	46-XX-13-03-3
● 09	45-XX-13-09-3	46-XX-13-09-3
● 13	45-XX-13-13-3	46-XX-13-13-3
● 99	45-XX-13-99-3	46-XX-13-99-3

Weight		19 cm	20 cm	21 cm	22 cm	23 cm	24 cm	25 cm	26 cm	27 cm	28 cm	29 cm	30 cm
50 – 74 lbs.	23 – 33 kg	19-3A1	20-3A1	21-3A1	22-3A1	23-3A1	24-3A1						
75 – 99 lbs.	34 – 44 kg	19-2A2	20-2A2	21-2A2	22-2A2	23-2A2	24-2A2						
100 – 119 lbs.	45 – 54 kg	19-A2	20-A2	21-A2	22-A2	23-A2	24-A2	25-B4	26-B4				
120 – 139 lbs.	54 – 63 kg				22-A3	23-A3	24-A3	25-B4	26-B4	27-C6	28-C6		
140 – 159 lbs.	64 – 72 kg				22-B4	23-B4	24-B4	25-B4	26-B4	27-C6	28-C6	29-D7	30-D7
160 – 179 lbs.	73 – 81 kg				22-B4	23-B4	24-B4	25-C5	26-C5	27-C6	28-C6	29-D7	30-D7
180 – 199 lbs.	82 – 90 kg				22-C5	23-C5	24-C5	25-C5	26-C5	27-D7	28-D7	29-D7	30-D7
200 – 224 lbs.	91 – 102 kg				22-C5	23-C5	24-C5	25-D6	26-D6	27-D7	28-D7	29-E8	30-E8
225 – 249 lbs.	102 – 113 kg							25-D6	26-D6	27-E8	28-E8	29-E8	30-E8
250 – 275 lbs.	113 – 125 kg							25-E7	26-E7	27-E8	28-E8	29-F9	30-F9
276 – 300 lbs.	126 – 136 kg							25-E7	26-E7	27-F9	28-F9	29-F9	30-F9
301 – 330 lbs.	137 – 150 kg							25-F9	26-F9	27-F9	28-F9	29-G10	30-G10

Categories in purple are available in 6 and 8 in. pylon versions only. Sizes 19 – 21 cm are assembled with a pediatric pyramid that is compatible with standard 22 mm pylons and have a sandal toe. Please note what side you want.

AllPro XTS



- K3
- K4
- TT
- TF

Specifications

Weight limit: 275 lbs. (125 kg)

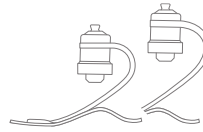
Heel height: 3/8 in. (10 mm)

Product weight: 25.6 oz. (728 g)
27.8 oz. (789 g)

Build height

6.4 in. (16.3 cm)

8.4 in. (21.3 cm)



Product Features

- Versatile foot function adapts to all activities
- Industry-leading flexibility provides excellent plantar and dorsiflexion
- Split-Toe, carbon composite design for multiaxial movement and dynamic response
- Vertical shock and of axial rotation for increased socket comfort
- Carbon composite design for dynamic response
- Adjustable heel stiffness with replaceable bumper
- IP67 waterproof



ProCover

Replace XX with foot size: 22 – 30 cm



Color	Product Number
● 99	182-10-10XX

Ordering Information

- Includes foot and instruction manual
- Foot shell ordered separately



Foot Shell

Replace XX with foot size: 22 – 30 cm



Color	Left	Right
● 03	45-XX-13-03-3	46-XX-13-03-3
● 09	45-XX-13-09-3	46-XX-13-09-3
● 13	45-XX-13-13-3	46-XX-13-13-3
● 99	45-XX-13-99-3	46-XX-13-99-3

Product Number

Replace XX-XXX with the correct length and weight details from the table below.

Model	Height	Foot Sizes	Product Number
AllPro XTS	6.4 in. (16.3 cm)	22 – 30 cm	229-106-XX-XX
AllPro XTS	8.4 in. (21.3 cm)	22 – 30 cm	229-108-XX-XX

Weight		22 cm	23 cm	24 cm	25 cm	26 cm	27 cm	28 cm	29 cm	30 cm
100 – 119 lbs.	45 – 54 kg	22-A2	23-A2	24-A2	25-B4	26-B4				
120 – 139 lbs.	54 – 63 kg	22-A3	23-A3	24-A3	25-B4	26-B4	27-C6	28-C6		
140 – 159 lbs.	64 – 72 kg	22-B4	23-B4	24-B4	25-B4	26-B4	27-C6	28-C6	29-D7	30-D7
160 – 179 lbs.	73 – 81 kg	22-B4	23-B4	24-B4	25-C5	26-C5	27-C6	28-C6	29-D7	30-D7
180 – 199 lbs.	82 – 90 kg	22-C5	23-C5	24-C5	25-C5	26-C5	27-D7	28-D7	29-D7	30-D7
200 – 224 lbs.	91 – 102 kg	22-C5	23-C5	24-C5	25-D6	26-D6	27-D7	28-D7	29-E8	30-E8
225 – 250 lbs.	102 – 113 kg				25-D6	26-D6	27-E8	28-E8	29-E8	30-E8
250 – 276 lbs.	113 – 125 kg				25-E7	26-E7	27-E8	28-E8	29-F9	30-F9

AllPro: Posterior Mount

K3 **K4** **TT**

Specifications

	Size	Build height
Weight limit: 330 lbs. (150 kg)	22 – 30 cm	3.0 in. (75 mm) (lowest)
Heel height: 3/8 in. (10 mm)		
Product weight: 19.6 oz. (557 g) Size 27		

Product Features

- Versatile foot function adapts to all activities
- Industry-leading flexibility provides excellent plantar and dorsiflexion
- Split toe for multiaxial movement
- Carbon composite design for dynamic response
- Adjustable heel stiffness with replaceable bumper



ProCover

Replace XX with foot size: 22 – 30 cm



Color	Product Number
● 99	182-10-10XX

Ordering Information

- Includes foot and instruction manual
- Foot shell ordered separately

Product Number

Replace XX-XX with the correct length and weight details from the table below.

Model	Foot Sizes	Product Number
AllPro Foot Posterior Mount	22 – 30 cm	137-PM-XX-XX

Foot Shell

Replace XX with foot size: 22 – 30 cm



Color	Left	Right
● 03	45-XX-13-03-3	46-XX-13-03-3
● 09	45-XX-13-09-3	46-XX-13-09-3
● 13	45-XX-13-13-3	46-XX-13-13-3
● 99	45-XX-13-99-3	46-XX-13-99-3

Weight	22 cm	23 cm	24 cm	25 cm	26 cm	27 cm	28 cm	29 cm	30 cm
100 – 119 lbs. 45 – 54 kg	22-A2	23-A2	24-A2	25-B4	26-B4				
120 – 139 lbs. 54 – 63 kg	22-A3	23-A3	24-A3	25-B4	26-B4	27-C6	28-C6		
140 – 159 lbs. 64 – 72 kg	22-B4	23-B4	24-B4	25-B4	26-B4	27-C6	28-C6	29-D7	30-D7
160 – 179 lbs. 73 – 81 kg	22-B4	23-B4	24-B4	25-C5	26-C5	27-C6	28-C6	29-D7	30-D7
180 – 199 lbs. 82 – 90 kg	22-C5	23-C5	24-C5	25-C5	26-C5	27-D7	28-D7	29-D7	30-D7
200 – 224 lbs. 91 – 102 kg	22-C5	23-C5	24-C5	25-D6	26-D6	27-D7	28-D7	29-E8	30-E8
225 – 249 lbs. 102 – 113 kg				25-D6	26-D6	27-E8	28-E8	29-E8	30-E8
250 – 275 lbs. 113 – 125 kg				25-E7	26-E7	27-E8	28-E8	29-F9	30-F9
276 – 300 lbs. 126 – 136 kg				25-E7	26-E7	27-F9	28-F9	29-F9	30-F9
301 – 330 lbs. 137 – 150 kg				25-F9	26-F9	27-F9	28-F9	29-G10	30-G10

Posterior Mounting Bracket

Description	Material	Part Number
Posterior Mounting Bracket	Aluminum	180-10-2010



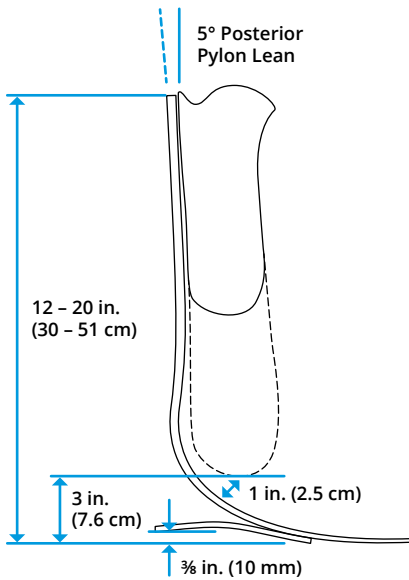
Formula™



K3 K4 TT

Specifications

- Weight rating: 330 lbs. (150 kg)
- Foot size: 22 – 31 cm
- Functional levels: K3 – K4
- Weight (27 cm foot): 24 oz. (675 g)
- Pylon height: 12 – 20 in. (30 – 21 cm)
- Build height: 3 in. (7.6 cm)



Product Features

- Posterior mount design provides ideal balance of flexibility and power
- Long, carbon-composite pylon delivers lightweight, dynamic response
- Full-split toe offers maximum multiaxial function
- Rocker toe supports easy and smooth roll-over
- Fully customizable—choose the pylon and separate heel spring best suited for your patient



Shown with practitioner-fabricated foot form

Ordering Information

- Order pylon based on patient weight
- Order heel spring based on desired stiffness
- Transfemoral or patients 6'2" (188 cm) or taller should move up one weight class for pylon and heel spring standard

Weight	Pylon	Heel Spring Softer	Heel Spring Standard	Heel Spring Stiffer
100 – 129 lbs. 45 – 58 kg	178-110-2A		178-110-5	178-110-6
130 – 159 lbs. 59 – 72 kg	178-110-A	178-110-5	178-110-6	178-110-7
160 – 189 lbs. 73 – 85 kg	178-110-B	178-110-6	178-110-7	178-110-8
190 – 219 lbs. 86 – 99 kg	178-110-C	178-110-7	178-110-8	178-110-9
220 – 249 lbs. 100 – 113 kg	178-110-D	178-110-8	178-110-9	178-110-10
250 – 289 lbs. 114 – 131 kg	178-110-E	178-110-9	178-110-10	178-110-11
290 – 330 lbs. 132 – 150 kg	178-110-F	178-110-10	178-110-11	

Posterior Mounting Bracket (Optional)

Description	Material	Part Number
Posterior Mounting Bracket	Aluminum	180-10-2010



Obsidian DM



- K3
- K4
- TT
- TF

Product Features

- Split-Toe Sole
- STF Technology
- Dynamic Carbon Composite
- Pyramid Slide (adult only)



Specifications

	Pediatric	Adult
Patient Weight	Up to 124 lbs. (56 kg)	Up to 330 lbs. (150 kg)
Foot Weight	8.5 oz. (240 g)	19.4 oz. (550 g)
Build Height	6.3 in. (16 cm)	10.75 in. (27.3 cm)
Warranty	12 months	12 months
Patient Trial	Yes	Yes

Ordering Information

Patient Weight	Pediatric
31 – 40 lbs. (14 – 18 kg)	175-140-5A
41 – 51 lbs. (19 – 23 kg)	175-140-4A
52 – 65 lbs. (24 – 29 kg)	175-140-3A
66 – 82 lbs. (30 – 37 kg)	175-140-2A
83 – 102 lbs. (38 – 46 kg)	175-140-A
103 – 124 lbs. (47 – 56 kg)	175-140-B

Patient Weight	Adult
75 – 99 lbs. (34 – 44 kg)	175-130-3A
100 – 124 lb s. (45 – 56 kg)	175-130-2A
125 – 149 lbs. (57 – 68 kg)	175-130-A
150 – 179 lbs. (69 – 81 kg)	175-130-B
180 – 209 lbs. (82 – 95 kg)	175-130-C
210 – 239 lbs. (96 – 109 kg)	175-130-D
240 – 275 lbs. (110 – 125 kg)	175-130-E
276 – 330 lbs. (125 – 150 kg)	175-130-F

Accessories

Patient Weight	Pediatric	Adult
Replacement Running Tread	100-40-4050	100-40-4000

Obsidian PM / Sprint



- K3
- K4
- TT
- TF

Product Features

- Split-Toe Sole
- STF Technology
- Dynamic Carbon Composite



Specifications

	Pediatric Running Blade	Adult Running Blade	Sprint Blade
Patient Weight	Up to 180 lbs. (82 kg)	Up to 330 lbs. (150 kg)	Up to 275 lbs. (125 kg)
Foot Weight	18.1 oz. (515 g)	28 oz. (800 g)	35 oz. (1000 g)
Clearance	2.0 in. (5.1 cm)	2.0 in. (5.1 cm)	3 in. (7.6 cm)
Mounting Height	10.5 in. – 18.5 in. (26.7 – 47.0 cm)	15.5 in. – 21.5 in. (39.4 – 54.6 cm)	15.5 – 26 in. (39.4 – 66.0 cm)
Width at Minimum Build Height	1.75 in. (44 mm)	2.25 in. (57 mm)	2.25 in. (57 mm)
Warranty	12 months	12 months	6 months
Patient Trial	No	No	No

Ordering Information

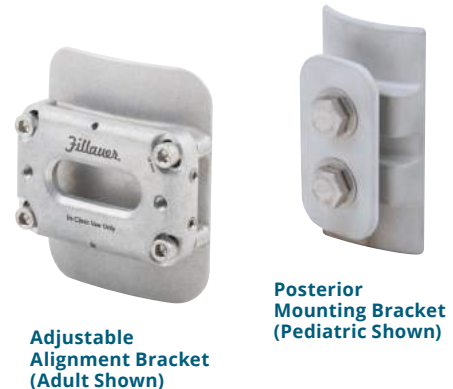
Patient Weight	Pediatric Running Blade	Adult Running Blade	Sprint Blade
50 – 74 lbs. (23 – 33 kg)	175-120-3A		
75 – 99 lbs. (34 – 44 kg)	175-120-2A		
100 – 124 lbs. (45 – 56 kg)	175-120-A		177-110-X**
125 – 149 lbs. (57 – 68 kg)	175-120-B	175-110-A	177-110-X**
150 – 179 lbs. (69 – 81 kg)	175-120-C	175-110-B	177-110-X**
180 – 209 lbs. (82 – 95 kg)		175-110-C	177-110-X**
210 – 239 lbs. (96 – 109 kg)		175-110-D	177-110-X**
240 – 275 lbs. (110 – 125 kg)		175-110-E	177-110-X**
276 – 330 lbs. (125 – 150 kg)		175-110-F	

*Obsidian Sprint does not include track sole

**Obsidian Sprint requires order form available at www.fillauer.com

Accessories

	Pediatric Running Blade	Adult Running Blade
Adjustable Alignment Bracket	180-10-5000	180-10-4000
Posterior Mounting Bracket	180-10-3000	180-10-2010
Replacement Running Tread	100-40-4050	100-40-4000



Aeris Performance 2



- K3
- K4
- TT
- TF

Specifications

	Size	Build height
Weight limit: 330 lbs. (150 kg)	22 – 24 cm	6.5 in. (166 mm)
Heel height: 0.4 in. (10 mm)	25 – 26 cm	7.1 in. (180 mm)
Product weight: 17.6 oz. (500 g) Size 27	27 – 30 cm	7.3 in. (185 mm)

Product Features

- Innovative micro-slice design and split heel for multi-axial function and terrain conformance
- Enhanced plantarflexion for stability at heel strike
- Advanced Energy Release (AER) Pylon minimizes forces to the residual limb
- Smooth rollover and great energy return



Ordering Information

Includes foot, elastomer heel wedge, and instruction manual

Product Number

122-10-XX-XX: Replace XX-XX with the correct length and weight details from the table below

Weight		22 cm	23 cm	24 cm	25 cm	26 cm	27 cm	28 cm	29 cm	30 cm
100 – 119 lbs. 45 – 54 kg		22-A2	23-A2	24-A2	25-B4	26-B4	*	*	*	*
120 – 139 lbs. 55 – 63 kg		22-A2	23-A2	24-A2	25-B4	26-B4	27-C5	28-C5	*	*
140 – 159 lbs. 64 – 72 kg		22-B3	23-B3	24-B3	25-B5	26-B5	27-C5	28-C5	29-D6	30-D6
160 – 179 lbs. 73 – 81 kg		22-B3	23-B3	24-B3	25-B5	26-B5	27-C6	28-C6	29-D6	30-D6
180 – 199 lbs. 82 – 90 kg		22-B4	23-B4	24-B4	25-C6	26-C6	27-C6	28-C6	29-D7	30-D7
200 – 224 lbs. 91 – 101 kg		22-B4	23-B4	24-B4	25-C6	26-C6	27-D7	28-D7	29-D7	30-D7
225 – 249 lbs. 102 – 113 kg		22-C5	23-C5	24-C5	25-D7	26-D7	27-D7	28-D7	29-E8	30-E8
250 – 275 lbs. 114 – 125 kg		22-C5	23-C5	24-C5	25-D7	26-D7	27-E8	28-E8	29-E8	30-E8
276 – 300 lbs. 126 – 136 kg					25-E8	26-E8	27-E8	28-E8	29-E9	30-E9
301 – 330 lbs. 137 – 150 kg					25-E8	26-E8	27-E9	28-E9	29-E9	30-E9

* Contact your distributor for recommendations

Foot Shell

- Includes prosthetic sock.
- Replace XX with foot size: 22 – 30 cm

Color	Left	Right
03	45-XX-13-03-3	46-XX-13-03-3
09	45-XX-13-09-3	46-XX-13-09-3
13	45-XX-13-13-3	46-XX-13-13-3
99	45-XX-13-99-3	46-XX-13-99-3



Aeris Performance LP



Specifications

	Size	Build height
Weight limit: 275 lbs. (125 kg)	22 – 26 cm	5.2 in. (132 mm)
Heel height: 0.4 in. (10 mm)	27 – 28 cm	5.3 in. (134 mm)
Product weight: 15.9 oz. (450 g) Size 27	29 – 30 cm	5.4 in. (136 mm)

Product Features

- Increased axial rotation via dual-spring pylon
- At heel strike, dual-springs open to enhance plantarflexion
- After foot-flat, dual-springs close and support each other to provide a smooth transition, balance of stability and dynamic response
- Advanced Energy Release (AER) Pylon



Ordering Information

Includes foot and instruction manual

Product Number

123-10-XX-X : Replace XX-X with the correct length and weight details from the table below.

Weight		22 cm	23 cm	24 cm	25 cm	26 cm	27 cm	28 cm	29 cm	30 cm
99 – 130 lbs.	45 – 59 kg	22-A	23-A	24-A	25-B	26-B	27-B	28-B	29-D	30-D
131 – 163 lbs.	60 – 74 kg	22-A	23-A	24-A	25-B	26-B	27-C	28-C	29-D	30-D
164 – 198 lbs.	75 – 90 kg	22-B	23-B	24-B	25-C	26-C	27-C	28-C	29-D	30-D
199 – 235 lbs.	91 – 107 kg	22-B	23-B	24-B	25-C	26-C	27-D	28-D	29-E	30-E
236 – 275 lbs.	108 – 125 kg				25-D	26-D	27-D	28-D	29-E	30-E

Foot Shell

- Includes prosthetic sock.
- Replace XX with foot size: 22 – 30 cm

Color	Left	Right
03	45-XX-13-03-3	46-XX-13-03-3
09	45-XX-13-09-3	46-XX-13-09-3
13	45-XX-13-13-3	46-XX-13-13-3
99	45-XX-13-99-3	46-XX-13-99-3



Ibex XD



- K2
- K3
- K4
- TT
- TF

Specifications

	Size	Build height
Weight limit: 440 lbs. (200 kg)	25 – 28 cm	7.2 in. (184 mm)
Heel height: 0.4 in. (10 mm)	25 – 28 cm	7.2 in. (184 mm)
Product weight: 21.2 oz. (601 g) Size 27	29 – 30 cm	7.3 in. (186 mm)

Product Features

- Durable foot for heavier users with outstanding energy return
- Innovative micro-slice technology for multi-axial performance
- Adjustable heel wedge for fine tuning heel stiffness



Ordering Information

Includes foot and instruction manual

Fillauer recommends using only Ibex XD componentry for the Ibex XD foot. These are the only components that are fully compatible and warranted to ensure customer safety and overall product functionality (see below).

Product Number

120-10-XX-XXXX (330 – 440 lbs. (150 – 200 kg)): Replace XX-XXXX with the correct length and weight details from the table below

Weight		25 cm	26 cm	27 cm	28 cm	29 cm	30 cm
330 – 440 lbs.	150 – 200 kg	25-E8XD	26-E8XD	27-E9XD	28-E9XD	29-E9XD	30-E9XD

Foot Shell

- Includes prosthetic sock.
- Replace XX with foot size: 22 – 30 cm

Color	Left	Right
03	45-XX-13-03-3	46-XX-13-03-3
09	45-XX-13-09-3	46-XX-13-09-3
13	45-XX-13-13-3	46-XX-13-13-3
99	45-XX-13-99-3	46-XX-13-99-3



Accessories

Description	Weight Limit	Build Height	Weight	Length	Diameter	Product Number
XD Pylon, page 36	440 lbs. (200 kg)			16.9 in. (430 mm)	34 mm	126133
XD Tube Clamp Adapter, page 36	440 lbs. (200 kg)	2.1 in. (53 mm)	3.0 oz. (84 g)		34 mm	126100
XD 4-Prong Pyramid, page 37	440 lbs. (200 kg)	0.7 in. (17.5 mm)	4.6 oz. (131 g)			126120
XD 4-Prong Receiver, page 37	440 lbs. (200 kg)	0.75 in. (19 mm)	3 oz. (87 g)			126122



Wave Comfort 3



Specifications

Weight limit: 330 lbs. (150 kg)	Size	Build height
Heel height: 0.4 in. (10 mm)	22 – 24 cm	3.7 in. (95 mm)
Product weight: 13.2 oz. (374 g) Size 27	25 – 30 cm	4.0 in. (102 mm)

Product Features

- Exceptional level of comfort for the low to moderate activity user
- Shock absorption when walking and standing
- Smooth rollover and enhanced plantarflexion for early stance phase stability
- Adjustable heel stiffness with replaceable bumper



Ordering Information

Includes foot, heel bumpers, and instruction manual

Product Number

135-10-XX-XXX: Replace XX-XXX with the correct length and weight details from the table below

Foot selection requires foot length and weight

Weight		22 cm	23 cm	24 cm	25 cm	26 cm	27 cm	28 cm	29 cm	30 cm
97 – 110 lbs. 44 – 50 kg		22-A2R	23-A2R	24-A2R	25-B4R	26-B4R				
111 – 132 lbs. 51 – 60 kg		22-A2R	23-A2R	24-A2R	25-B4R	26-B4R	27-B4R	28-B4R		
133 – 154 lbs. 61 – 70 kg		22-A2R	23-A2R	24-A2R	25-B4R	26-B4R	27-B4R	28-B4R	29-C5R	30-C5R
155 – 176 lbs. 71 – 80 kg		22-B3R	23-B3R	24-B3R	25-B4R	26-B4R	27-C5R	28-C5R	29-C5R	30-C5R
177 – 198 lbs. 81 – 90 kg		22-B3R	23-B3R	24-B3R	25-C5R	26-C5R	27-C5R	28-C5R	29-D6R	30-D6R
199 – 220 lbs. 91 – 100 kg		22-C4R	23-C4R	24-C4R	25-C5R	26-C5R	27-D6R	28-D6R	29-D6R	30-D6R
221 – 246 lbs. 101 – 112 kg		22-C4R	23-C4R	24-C4R	25-D6R	26-D6R	27-D6R	28-D6R	29-E7R	30-E7R
247 – 275 lbs. 113 – 125 kg		22-C4R	23-C4R	24-C4R	25-D6R	26-D6R	27-E7R	28-E7R	29-E7R	30-E7R
276 – 300 lbs. 126 – 136 kg					25-E7R	26-E7R	27-E7R	28-E7R	29-F8R	30-F8R
302 – 331 lbs. 137 – 150 kg					25-E7R	26-E7R	27-E7R	28-E7R	29-F8R	30-F8R

Foot Shell

- Includes prosthetic sock.
- Replace XX with foot size: 22 – 30 cm



Color	Left	Right
03	45-XX-13-03-3	46-XX-13-03-3
09	45-XX-13-09-3	46-XX-13-09-3
13	45-XX-13-13-3	46-XX-13-13-3
99	45-XX-13-99-3	46-XX-13-99-3



Motion Foot® SLX — Hydraulic Ankle



Specifications

Weight limit: 275 lbs. (125 kg)	Size	Build height
Heel height: 0.4 - 1.6 in. (10 - 40 mm)	22 - 30 cm	4.08 in. (10.36 cm)
Product weight: 23.8 oz. (675 g) Size 26		



Product Features

- Adjustable plantarflexion and dorsiflexion with 13° of plantarflexion and 3° of dorsiflexion
- Multi-axial foot plate with split toe for inversion/eversion on varied terrain
- Continuously variable fulcrum keel design provides smooth rollover from heel to toe

Ordering Information

Includes foot, foot shell, tool kit, prosthetic sock and instruction manual

Product Number

213-10-XX-XX: Replace XX-XX with the correct length and weight details from the table below.

Weight		22 cm	23 cm	24 cm	25 cm	26 cm	27 cm	28 cm	29 cm	30 cm
100 - 130 lbs. 45 - 59 kg		22-A1	23-A1	24-A1	25-A3	25-A3				
131 - 161 lbs. 60 - 72 kg		22-A1	23-A1	24-A1	25-B3	25-B3	27-C5	28-C5		
162 - 192 lbs. 73 - 87 kg		22-B2	23-B2	24-B2	25-C4	25-C4	27-D5	28-D5	29-E6	30-E6
193 - 225 lbs. 88 - 102 kg		22-B2	23-B2	24-B2	25-D4	25-D4	27-E6	28-E6	29-F7	30-F7
226 - 260 lbs. 103 - 118 kg					25-E4	25-E4	27-F6	28-F6	29-G7	30-G7
261 - 276 lbs. 119 - 125 kg							27-G7	28-G7	29-G7	30-G7

* For high activity users

Foot Shell



- Includes prosthetic sock.
- Replace XX with foot size: 22 - 30 cm

Color	Left	Right
03	45-XX-13-03-3	46-XX-13-03-3
09	45-XX-13-09-3	46-XX-13-09-3
13	45-XX-13-13-3	46-XX-13-13-3
99	45-XX-13-99-3	46-XX-13-99-3



Adjustable Alignment Bracket

The bracket is for in-clinic fitting only — it is not a permanent mounting solution, but rather a fitting tool. The bracket is compatible with the Formula and AllPro Posterior Mount feet.

The AAB Wedge Kit includes eight adjustment wedges and additional socket head screws for the adjustment of plantar/dorsiflexion and interior/external rotation.



Ordering Information

Compatible Foot	Patient Weight	Weight	Dimensions	Socket Offset Distance	Part Number	AAB Wedge Kit
Obsidian Running Adult AllPro PM Formula™	330 lbs. (150 kg)	4.8 oz. (136 g)	4.0 × 3.3 × 1.8 in. (100 × 83 × 46.4 mm)	0.16 in. (4 mm)	180-10-4000	180-10-4010
Obsidian Running Pediatric Pediatric Formula™	132 lbs. (60 kg)	4.8 oz. (136 g)	3.7 × 2.9 × 1.0 in. (95 × 73 × 25 mm)	0.16 in. (4 mm)	180-10-5000	180-10-5010

Posterior Mount Transfer Fixture

The Posterior Mount Transfer Fixture attaches to the Hosmer VFJ and allows for quick adjustment of rotation and linear adjustment of alignment. It can be used with all Fillauer Posterior Mounting Brackets and Adjustable Alignment Brackets (Adult and Pediatric versions).



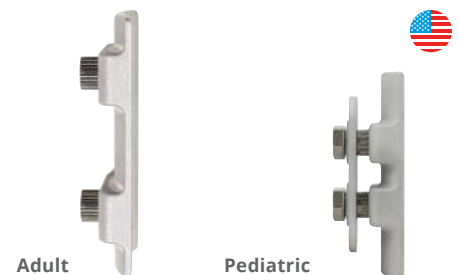
Ordering Information

Description	Part Number
Posterior Mount Transfer Fixture	52090
Vertical Fabricating Fixture, VFJ-100	52056

Posterior Mounting Brackets

- K2**
- K3**
- K4**
- TT**

Once correct alignment has been determined using the Adjustable Alignment Bracket, the foot can be mounted using the Posterior Mounting Bracket.



Ordering Information

Compatible Foot	Patient Weight	Weight	Plate Thickness	Part Number
Obsidian Running Adult AllPro PM Formula™	330 lbs. (150 kg)	3.1 oz. (87 g)	0.3 in. (8.6 mm)	180-10-2010
Obsidian Running Pediatric Pediatric Formula™	125 lbs. (57 kg)	3.4 oz. (95 g)	0.3 in. (8.5 mm)	180-10-3000

ProCover



- K3
- K4
- TT
- TF

Specifications

Product weight: 9.1 oz. (259 g)

Material: Polyurethane Foam



Product Features

- Durable design and material is ideal for high activity patients
- Split design allows for easy maintenance, cleaning, or switching with other cosmetic covers
- Design-to-fit shape securely fits the foot plate for a more responsive feel
- Polyurethane foam maintains superior energy return over time
- Unique shape enhances foot rollover performance

Ordering Information

Includes two hardware kits

22 cm	23 cm	24 cm	25 cm	26 cm	27 cm	28 cm	29 cm	30 cm
182-10-1022	182-10-1023	182-10-1024	182-10-1025	182-10-1026	182-10-1027	182-10-1028	182-10-1029	182-10-1030

Replacement Parts

Includes 4 Connector Pins, 2 Velcro® Straps

Size	Part Number
22 – 25 cm	182-10-2300
26 – 30 cm	182-10-2350

Foot Shell



K2 K3 K4 TT TF

Specifications

Product weight: 8 oz. (227 g)

Material: BIOVYN™ PVC



Product Features

- Made with BIOVYN™, a bio-attributed PVC that is based on 100% renewable feedstock and significantly reduced carbon emissions
- More durable than previous Foot Shells, increased warranty from 6 months to 9 months
- Natural appearance

Ordering Information

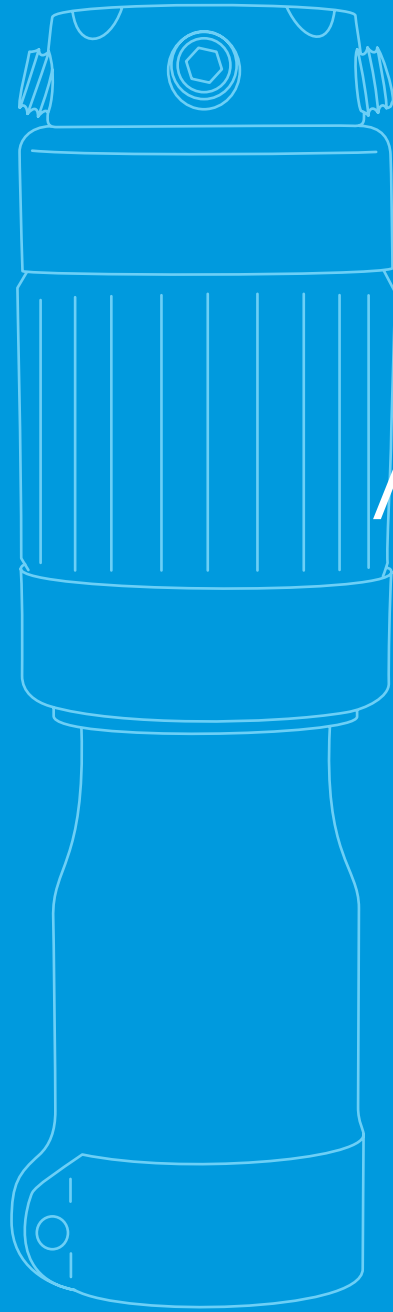
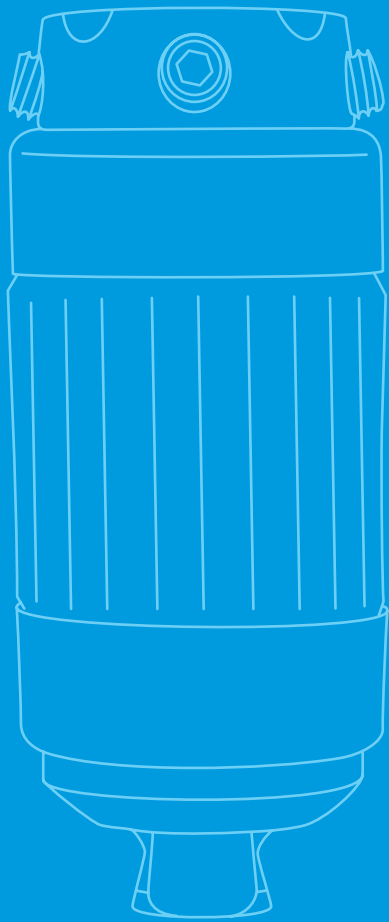
- Includes prosthetic sock.
- Replace XX with foot size: 22 – 30 cm

Color	Left	Right
03	45-XX-13-03-3	46-XX-13-03-3
09	45-XX-13-09-3	46-XX-13-09-3
13	45-XX-13-13-3	46-XX-13-13-3
99	45-XX-13-99-3	46-XX-13-99-3

Prosthetic Sock

Size	Part Number
22 – 24 cm	636202224
25 – 27 cm	636202527
28 – 30 cm	636202830





Adapters

Aluminum 30 mm Pylon

TT TF

Ordering Information

Material	Length	Weight	Weight Rating	Product Number
Aluminum	10 in. (254 mm)	5.1 oz. (145 g)	300 lbs. (136 kg)	125032
Aluminum	17 in. (432 mm)	8.8 oz. (250 g)	300 lbs. (136 kg)	125034
Aluminum	36 in. (914 mm)	17.6 oz. (499 g)	300 lbs. (136 kg)	238024



30 mm Pylon with Adapter

TT TF

Ordering Information

Adapter Material	Length	Weight	Weight Rating	Product Number
Titanium	11.8 in. (300 mm)	8.0 oz. (228 g)	300 lbs. (136 kg)	60246
Stainless Steel	11.8 in. (300 mm)	10.0 oz. (283 g)	300 lbs. (136 kg)	60430
Titanium	15.7 in. (400 mm)	11.5 oz. (326 g)	300 lbs. (136 kg)	60245
Stainless Steel	15.7 in. (400 mm)	12.7 oz. (360 g)	300 lbs. (136 kg)	60429



30 mm Short Tube Adapter

TT TF

Ordering Information

Material	Length	Weight	Weight Rating	Product Number
Titanium	3.9 in. (100 mm)	3.9 oz. (110 g)	300 lbs. (136 kg)	60558
Aluminum	7.9 in. (200 mm)	5.9 oz. (166 g)	220 lbs. (100 kg)	61352



DuraShock



Specifications

- Weight limit: 220 lbs. (100 kg)
- Weight limit HD: 250 lbs. (113 kg)
- Axial rotation: 60° of axial rotation (30° in each direction)
- Pylon Diameter: 30 mm
- HD Pylon Diameter: 34 mm

Product Features

- Vertical shock absorption
- Reduces rotational force to residual limb
- 4 stiffness options matched to weight/activity
- Maintenance free
- Includes dampening ring and cosmetic sleeve
- Water resistant



U.S. Patent No. 6468315 & 6682569

Ordering Information

DuraShock Long Pylon

	Color	Moderate Activity Level	High Activity	Build Height	Weight	Product Number
A	Red	< 144 lbs. (65 kg)	< 139 lbs. (63 kg)	5.8 – 10.6 in. (146 – 270 mm)	15 oz. (428 g)	DS003L
B	Blue	145 – 179 lbs. (68 – 81 kg)	140 – 169 lbs. (64 – 76 kg)	5.8 – 10.6 in. (146 – 270 mm)	15 oz. (428 g)	DS002L
C	Black	180 – 220 lbs. (82 – 100 kg)	170 – 200 lbs. (77 – 91 kg)	5.8 – 10.6 in. (146 – 270 mm)	15 oz. (428 g)	DS001L
D	HD	220 – 250 lbs. (100 – 113 kg)	200 – 230 lbs. (91 – 104 kg)	6.8 – 10.7 in. (171 – 273 mm)	21.7 oz. (609 g)	DS004L



U.S. Patent No. 6468315 & 6682569

DuraShock Short Pylon

	Color	Moderate Activity Level	High Activity	Build Height	Weight	Product Number
E	Red	< 144 lbs. (65 kg)	< 139 lbs. (63 kg)	4.8 – 7.5 in. (114 – 190 mm)	11 oz. (318 g)	DS003S
F	Blue	145 – 179 lbs. (68 – 81 kg)	140 – 169 lbs. (64 – 76 kg)	4.8 – 7.5 in. (114 – 190 mm)	11 oz. (318 g)	DS002S
G	Black	180 – 220 lbs. (82 – 100 kg)	170 – 200 lbs. (77 – 91 kg)	4.8 – 7.5 in. (114 – 190 mm)	11 oz. (318 g)	DS001S
H	HD	220 – 250 lbs. (100 – 113 kg)	200 – 230 lbs. (91 – 104 kg)	5 – 6.9 in. (127 – 175 mm)	15.2 oz. (425 g)	DS004S

Replacement Parts

- 128265 – Dampening Ring, 30 mm and 34 mm
- DS009A – Alignment Adjustment Screw, 3/16-24, Stainless Steel

NOTE: Weights are a suggested guide for torque and shock performance. Individual preference and performance will vary. The dampening ring included with each pylon is used to reduce the amount of rotation and vertical compression.

DuraShock Short



Specifications

- Weight limit: 275 lbs. (125 kg)
- Weight limit HD: 300 lbs. (136 kg)
- Product weight: 11.6 oz. (330 g)
- Durability: Meets ISO 10328



Ordering Information

U.S. Patent No. 6468315 & 6682569

Color	Moderate Activity Level	High Activity Level	Build Height	Weight	Product Number
Red	< 144 lbs. (65 kg)	< 139 lbs. (63 kg)	3.5 in. (89 mm)	10.6 oz. (300 g)	DS003SS
Blue	145 – 179 lbs. (66 – 81 kg)	140 – 169 lbs. (64 – 76 kg)	3.5 in. (89 mm)	10.6 oz. (300 g)	DS002SS
Black	180 – 220 lbs. (82 – 100 kg)	170 – 200 lbs. (77 – 91 kg)	3.5 in. (89 mm)	10.6 oz. (300 g)	DS001SS
HD	220 – 300 lbs. (100 -136 kg)	200 – 250 lbs. (91 – 113 kg)	4.3 in. (108 mm)	16.2 oz. (460 g)	DS004SS

NOTE: Weights are a suggested guide for torque and shock performance. Individual preference and performance will vary. The dampening ring included with each pylon is used to reduce the amount of rotation and vertical compression.

DuraTwist



Specifications

- Weight limit: 250 lbs. (113 kg)
- Build Height: 2.625 in. (6.6 cm)
- Product weight: 8.8 oz. (250 g)
- Tube clamp / pyramid: 30 mm
- Durability: Meets ISO 10328
- Waterproof: This device is rated for submersion to 1 meter for 30 minutes



Ordering Information

Color	Weight Limit	Product Number
Blue	180 lbs. (82 kg)	DT002
Black	250 lbs. (113 kg)	DT001

NOTE: Weights are a suggested guide for torque and shock performance. Individual preference and performance will vary. The dampening ring included with each pylon is used to reduce the amount of rotation and vertical compression.

ALP-ALU 4-Hole Adapter



Specifications

Weight limit: 275 lbs. (125 kg)

Build height: 2.7 in. (70 mm)

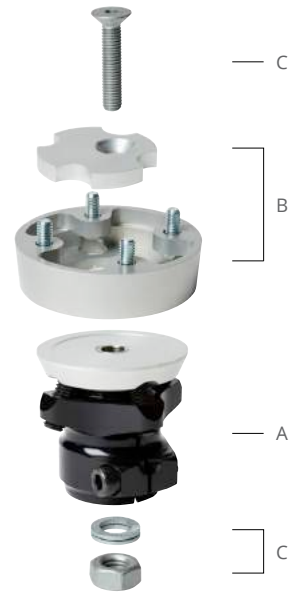
Product weight: 9.4 oz. (266 g)

Horizontal slide: 0.9 in. (23 mm)

Angle adjustment: 20°

Tube clamp: for 30 mm tube

Material: Aluminum



Ordering Information

Description	Product Number
Double Adapter	731163180

Replacement Parts

- A 731163181 – Alp-Alu body
- B 731163182 – 4-hole adapter, Washer & Screws (4 pcs)
- C 731162161 – M8 × 40 mm dacrom Screw, M8 nut, and M8 locking washer

Pylon Tube Clamp with Pyramid Receiver



Specifications

Weight limit: 300 lbs. (136 kg)

Tube diameter: 30 mm



Ordering Information

Material	Build Height	Weight	Product Number
Aluminum	2.1 in. (53 mm)	3.2 oz. (92 g)	124170
Stainless Steel	1.9 in. (48 mm)	4.2 oz. (120 g)	60400
Titanium	1.9 in. (48 mm)	2.7 oz. (76 g)	60247

Dual Adapter



Specifications

Tube diameter: 30 mm

Ordering Information

Material	Weight Limit	Build Height	Weight	Product Number
Aluminum	220 lbs. (100 kg)	32 mm	2.4 oz. (68 g)	61361
Aluminum	220 lbs. (100 kg)	45 mm	2.8 oz. (80 g)	61362
Aluminum	220 lbs. (100 kg)	60 mm	3.3 oz. (93 g)	61363
Aluminum	220 lbs. (100 kg)	75 mm	3.7 oz. (106 g)	61364
Titanium	300 lbs. (136 kg)	32 mm	2.8 oz. (80 g)	60306
Titanium	300 lbs. (136 kg)	45 mm	3.2 oz. (91 g)	60439
Titanium	300 lbs. (136 kg)	60 mm	3.6 oz. (102 g)	60440
Titanium	300 lbs. (136 kg)	75 mm	4.2 oz. (118 g)	60441

Double Adapter Pyramid Male / Female



Specifications

Weight limit: 275 lbs. (125 kg)

Product weight: 2.8 oz. (79 gram)

Build height: 0.7 in. (18 mm)

Material: Titanium

Ordering Information

Description	Product Number
Double Adapter	731162126

4-Hole Pyramid Adapter



Specifications

Weight limit: 300 lbs. (136 kg)

Product Features

- Includes screws

Build height: 0.3 in. (8 mm)

Ordering Information

Description	Through Hole	Material	Weight	Product Number
4-Hole Pyramid Adapter	Yes	Aluminum with Titanium Pyramid	1.8 oz. (50 g)	124178
4-Hole Pyramid Adapter	No	Aluminum with Titanium Pyramid	1.9 oz. (55 g)	124180
4-Hole Pyramid Adapter	Yes	Titanium	1.8 oz. (50 g)	60254
4-Hole Pyramid Adapter	No	Stainless Steel	3.7 oz. (104 g)	60416

Rotatable Adapter



TT TF

Specifications

Weight limit: 300 lbs. (136 kg)
Build height: 0.7 in. (18 mm)

Product Features

- Includes back plate and screws



Ordering Information

Description	Material	Weight	Product Number
Rotatable Adapter	Titanium	2.9 oz. (82 g)	60293
Rotatable Adapter	Stainless Steel	4.4 oz. (126 g)	60435

Rotatable Pyramid Adapter



TT TF

Specifications

Weight limit: 300 lbs. (136 kg)
Build height: 0.5 in. (13 mm)

Product Features

- Includes back plate and screws



Ordering Information

Description	Material	Weight	Product Number
Rotatable Pyramid Adapter	Titanium	4.6 oz. (129 g)	61100

4-Hole Adapter with Rotation



TT TF

Specifications

Weight limit: 300 lbs. (136 kg)
Material: Stainless steel



124100



60544



60314

Ordering Information

Description	Attachment	Build Height	Product Weight	Material	Product Number
Adult 4-Hole Adapter with Rotation		0.3 in. (8.5 mm)	1.8 oz. (51 g)	Titanium	124100
Threaded Pyramid	Threaded Pyramid	0.3 in. (7 mm)	3.2 oz. (92 g)	Stainless Steel	60544
Rotatable Pyramid Receiver	Rotatable Pyramid Receiver	0.5 in. (13 mm)	2.9 oz. (81 g)	Stainless Steel	60314

4-Prong BK Adapter with Pyramid



TT



124181



60324



60457

Ordering Information

Through Hole	Material	Weight Limit	Build Height	Weight	Product Number
No	Stainless Steel	220 lbs. (100 kg)	0.3 in. (7.5 mm)	3.3 oz. (94 g)	124181
No	Stainless Steel	220 lbs. (100 kg)	0.4 in. (9 mm)	3.0 oz. (85 g)	60324
Yes	Stainless Steel	220 lbs. (100 kg)	0.4 in. (9 mm)	2.8 oz. (79 g)	60457
Yes	Titanium	300 lbs. (136 kg)	0.4 in. (9 mm)	1.8 oz. (50 g)	61134

Above Knee Socket Adapter



TF

Product Features

- Includes lamination adapter



Ordering Information

Attachment	Material	Weight Limit	Build Height	Weight	Product Number
Pyramid	Stainless Steel	300 lbs. (136 kg)	0.4 in. (11 mm)	4.5 oz. (127 g)	60325

Above Knee Rotatable Socket Adapters



TF

Specifications

Weight limit: 300 lbs. (136 kg)

Material: Stainless steel



60576



60312



60544



60314

Ordering Information

Description	Attachment	Build Height	Weight	Product Number
AK Rotatable Socket Adapter	Pyramid	0.6 in. (15 mm)	6.9 oz. (195 g)	60576
AK Rotatable Socket Adapter	Pyramid Receiver	0.9 in. (22 mm)	6.5 oz. (185 g)	60312
Threaded Pyramid	Pyramid	0.3 in. (7 mm)	3.2 oz. (92 g)	60544
Rotatable Pyramid Receiver	Pyramid Receiver	0.9 in. (22 mm)	2.9 oz. (81 g)	60314

Trans-Femoral Rotator



TF

Specifications

Weight limit: 300 lbs. (136 kg)

Build height: 0.85 in. (21 mm)

Product weight: 6.7 oz. (191 g)

Rotation: 360°

Product Features

- Smooth, secure locking mechanism
- One hand push-button operation
- Automatic relock feature
- Eases entering and exiting automobiles
- Permits cross-legged sitting



Ordering Information

Description	Product Number
Trans-Femoral Rotator	62588

XD Heavy Duty 34 mm Pylon



TT **TF**

Specifications

Weight limit: 440 lbs. (200 kg) Material: Carbon fiber
 Tube length: 16.9 in. (430 mm) Diameter: 34 mm
 Product weight: 11.4 oz. (322 g)

Ordering Information

Description	Product Number
XD Pylon	126133

XD Heavy Duty Tube Clamp Adapter for 34 mm Tube



TT **TF**

Specifications

Weight limit: 440 lbs. (200 kg) Diameter: 34 mm
 Build height: 2.1 in. (53 mm) Material: Titanium
 Product weight: 3.0 oz. (84 g) Size: Use with XD only

Ordering Information

Description	Product Number
XD Tube Clamp Adapter	126100

XD Heavy Duty 4-Prong Pyramid



TT TF

Specifications

Weight limit: 440 lbs. (200 kg)

Build height: 0.7 in. (17.5 mm)

Product weight: 4.6 oz. (131 g)

Material: Titanium

Size: Use with XD only



Ordering Information

Description	Product Number
XD 4-Prong Pyramid	126120

XD Heavy Duty 4-Prong Receiver



TT TF

Specifications

Weight limit: 440 lbs. (200 kg)

Build height: 0.75 in. (19 mm)

Product weight: 3 oz. (87 g)

Material: Titanium

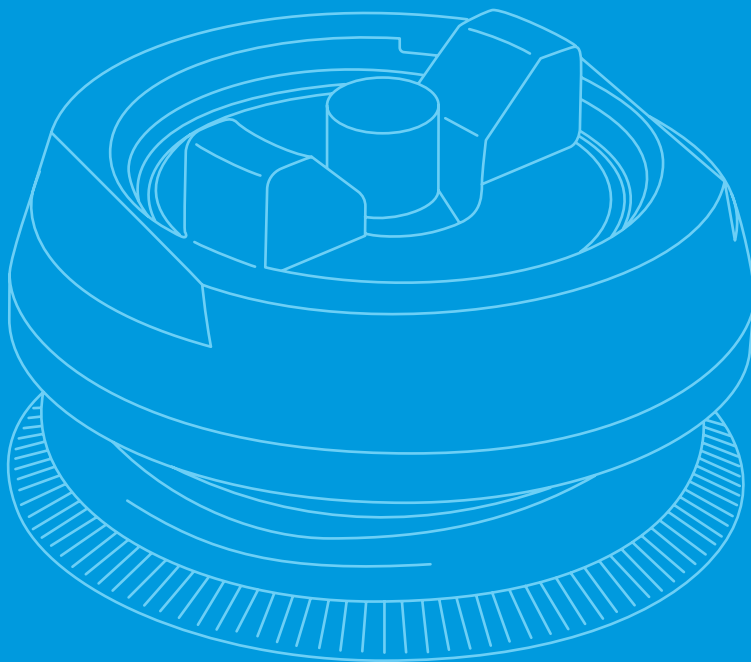
Size: Use with XD only



Ordering Information

Description	Product Number
XD 4-Prong Receiver	126122

Valves



Prosthetic Valves

Name	Use	Diameter	Height	Housing Material	Body Material	Push/Pull	Product Number
Red Dot Total Contact Valve	Lamination	32 mm	22 mm	Al	Al	Push	51936
Plastic and Aluminum Screw-In Suction Valve	Lamination	32 mm	11 mm	Al	ABS	Pull	51971
Leak-Rate Total Contact Valve	Lamination	32 mm	13 mm	Al	Al	Leak Rate	51982
Sierra Screw-In Suction Valve	Lamination	35 mm	9.5 mm	Al	Al	Pull	52351
SFS Adjustable Leak Rate Valve	Thermoplastic	38 mm	18 mm	Delrin	Delrin	Push	807479
SFS Adjustable Leak Rate with Adhesive Valve	Thermoplastic	38 mm	18 mm	Delrin	Delrin	Push	807480
SFS Leak Rate Valve	Thermoplastic	38 mm	18 mm	Delrin	Delrin	Push	807487
SFS Leak Rate w/ Adhesive Valve	Thermoplastic	38 mm	18 mm	Delrin	Delrin	Push	807488
CTFV-CSF Valve	Thermoplastic	39 mm	23 mm	SS	Delrin	Push	721000039
Mini Valve	Both	9 mm	12 mm	SS	SS	Auto	721000060
CSS Valve Kit	Lamination	12 mm	8 mm	Al	Al	Auto	721000089

Red Dot Air Expulsion Valve



TT TF

Specifications

Diameter: 1.3 in. (32 mm)
 Height: 0.9 in. (22 mm)
 Material: Aluminum body

Product Features

- Simple push button design, releases suction suspension of the socket



Ordering Information

Description	Product Number
Red Dot Valve	51936

Replacement Parts

A	51937 - Body	H	51942 - Flapper
B	51939 - O-Ring	I	51949 - Washer
C	51946 - Seat	J	51940 - Stern
D	59316 - O-Ring	K	51943 - Spring
E	51944 - Plunger	L	51948 - Flapper spring
F	51945 - O-Ring	M	51938 - Insert
G	51950 - Bolt	N	51941 - Button



Plastic and Aluminum Screw-In Suction Valve



TT TF

Specifications

Head diameter: 1.3 in. (32 mm)
 Height: 0.4 in. (11 mm)
 Material: Aluminum and ABS

Product Features

- Includes aluminum housing and Delrin insert with neoprene seals
- Housing is 7/16 in. long to permit use in walled socket
- Easy to manipulate large valve release button



Ordering Information

Description	Product Number
Plastic-Aluminum Suction Valve, TCV-300	51971
Plastic-Aluminum Suction Valve, Insert Only, TCV-350	51980

Leak-Rate Total Contact Valve



Specifications

Head diameter: 1.3 in. (32 mm)

Height: 0.5 in. (13 mm)

Material: Aluminum

Product Features

- Permits controlled rate of airflow through valve when amputee stands or walks, allowing noiseless expulsion of air from socket
- Unique nylon ball-check provides one-way air flow adjustable by an external screw
- Once properly adjusted, no further adjustment is required



Ordering Information

Description	Product Number
Leak-Rate Total Contact Valve, TCV -400L; 1 in. (2.5 cm) Long	51981
Leak-Rate Total Contact Valve, Insert Only, TCV-450L	52001
Leak-Rate Total Contact Valve, TCV-400S; 0.5 in. (1.3 cm) Long	51982
Leak-Rate Total Contact Valve, Insert Only, TCV-450S	52002

Sierra Screw-In Suction Valve



Specifications

Head diameter: 1.4 in. (35 mm)

Height: 0.4 in. (9.5 mm)

Material: Aluminum

Product Features

- Maintains constant negative pressure within socket
- Preset to expel air approximately one pound per square inch pressure
- Thin design, recessed button and flush inner surfaces
- Easy to install or remove



Ordering Information

Description	Product Number
Sierra Suction Valve, 03-00	52351
Sierra Suction Valve, Insert Only, 03-01	52290

S.F.S. Valve (Scandinavian Flexible Socket)



Specifications

Head diameter: 1.5 in. (38 mm)

Height: 0.7 in. (18 mm)

Material: Delrin

Product Features

- Low profile for improved cosmesis
- Deep undercut vacuum channel with vacuum holes

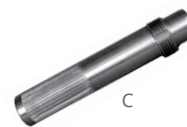
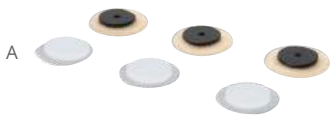


Ordering Information

Description	Product Number
Non-Adjustable Leak Rate, with Housing and Adhesive Coating	807488
Non-Adjustable Leak Rate with Housing	807487
Non-Adjustable Leak Rate, Valve Only	807461
Adjustable Leak Rate, with Housing and Adhesive Coating	807480
Adjustable Leak Rate, with Housing	807479
Adjustable Leak Rate, Valve Only	807453
Housing Only	807388

Accessories

Description	Image	Product Number
Tool Kit and Accessories for S.F.S. Valve		
Velcro Retainer Kit, Includes 3 Each of Items Pictured	A	807412
Trim Tool, for S.F.S. Valve Housing	B	807396
Replacement Parts		
Replacement Blades, 2 Each Per Pack		807398
S.F.S. Valve Tap Tool	C	220010
Double Stick Tape, for Adhesive Coating	C	807446
¾ in. × 18 Yard Roll (Sold Per Roll, Not Pictured)	-	



CTFV-CSF Valve



Specifications

Head diameter: 1.5 in. (39 mm)

Height: 0.9 in. (23 mm)

Material: Stainless Steel & Delrin

Product Features

- Designed to be used with thermoplastic sockets
- Allows you to connect the socket to the frame
- Includes a silicone gasket to prevent air leaking into the socket

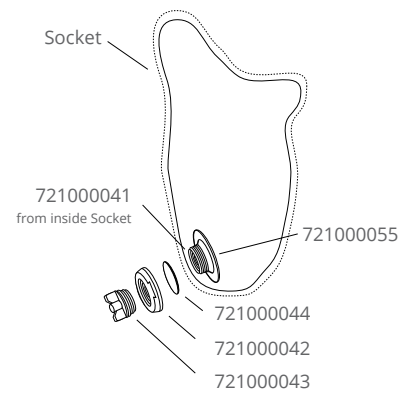


Ordering Information

Description	Product Number
CTFV-CSF	72100039
Fabrication Kit for CTFV-CSF Valve	72100050

Replacement Parts

721000041 – Interior valve house	721000044 – Black valve gasket, LTFU
721000042 – Exterior valve house ring	721000045 – Silicone valve gasket for CSF
721000043 – Valve	



CSS Valve



Specifications

Head diameter: 0.47 in. (12 mm)

Material: Aluminium

Assembly: 4 mm hex key

Product Features

- Permits air to exit the socket when amputee stands or walks
- Gives excellent suspension
- Kit includes: CSS Valve Lamination housing and plastic dummy



721000090



721000091

Ordering Information

Description	Product Number
CSS Valve	721000090
CSS Valve with Lamination Housing	721000089
Lamination Housing with Plastic Dummy	721000091

CSS Valve Kit with Pyramid Lamination Adapter



Specifications

Valve diameter: 0.47 in. (12 mm)

Material: Aluminium (valve)
Titanium (pyramid)

Weight limit: 276 lbs. (125 kg)

Product Features

- Permits air to exit the socket when amputee stands or walks
- Kit includes: CSS valve Pyramid Lamination Adapter and silicone dummy

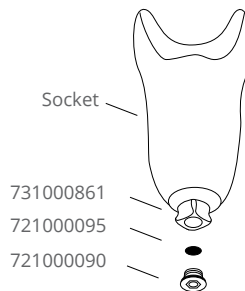


— 721000095

— Aluminum 731000861

— Titanium

721000090



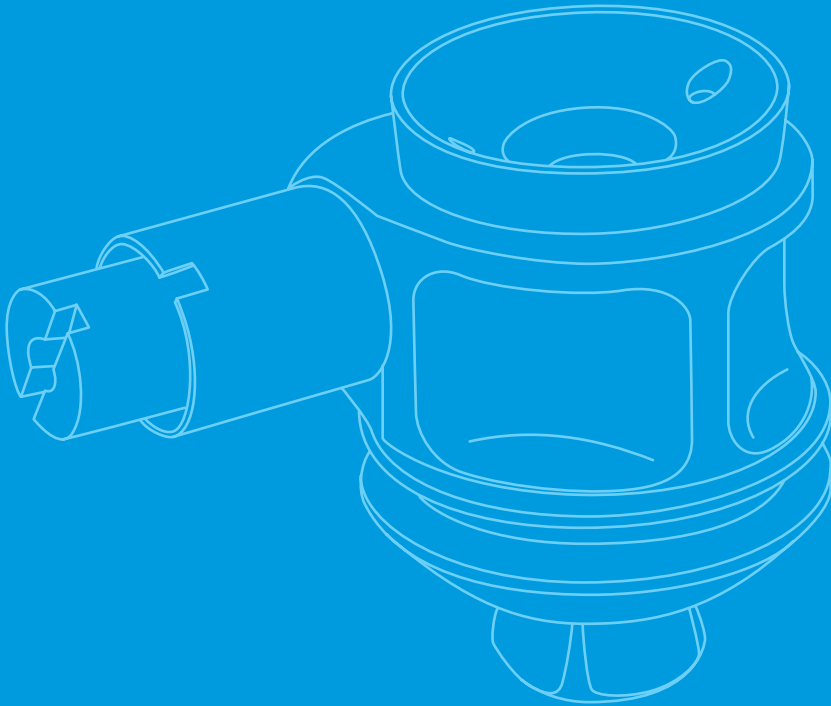
711000124

Ordering Information

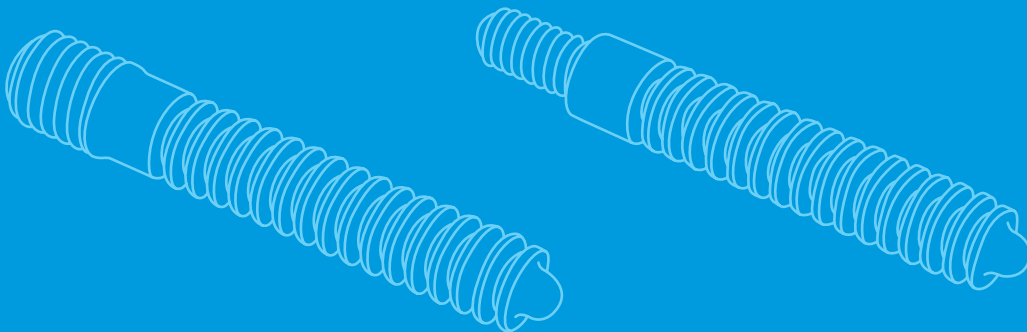
Description	Product Number
CSS valve with Pyramid Lamination Adapter	731000863

Replacement Parts

721000090 – CSS Valve	731000861 – Titanium Pyramid lamination adapter
721000095 – Filter for CSS valve pyramid lamination adapter	711000124 – Lamination dummy, silicone



Locks



Lock System Chart



Original Shuttle Lock	Style	Distal Attachment	Weight Rating	Build Height	Item Number	Fabrication Kit Number	Plungers	Features
	Original	None	N/A	1 ¼ in. 3.2 cm	125229	125239	1, 1.5, 2, 2.5, 3 in.	
Modular Shuttle Locks	Style	Distal Attachment	Weight Rating	Build Height	Item Number	Fabrication Kit Number	Plungers	Features
	Ti Pyramid	Ti Pyramid	300 lbs. (136 kg)	1 ½ in. 3.8 cm**	125460	125239	1, 1.5, 2, 2.5, 3 in.	
	Delrin	None	N/A	1 ¼ in. 3.2 cm****	125459	125239	1, 1.5, 2, 2.5, 3 in.	
	Cylindrical	4-Hole	300 lbs. (136 kg)	1 in. 2.5 cm	125462	125239	1, 1.5, 2, 2.5, 3 in.	
	4-Hole	4-Hole	300 lbs. (136 kg)	1 ¼ in. 3.2 cm	125461	125204	1, 1.5, 2, 2.5, 3 in.	
	Green Cylindrical	4-Hole	300 lbs. (136 kg)	1 in. 2.5 cm	125240	809867	1, 1.5, 2, 2.5, 3 in.	—
Gator Grip Locks	Style	Distal Attachment	Weight Rating	Build Height	Item Number	Fabrication Kit Number	Plungers	Features
	Ti Pyramid	Ti Pyramid	300 lbs. (136 kg)	1 ½ in. 3.8 cm**	141002	141020	1, 1.5, 2 in.	
	Delrin	None	N/A	1 ¼ in. 3.2 cm	141001	141020	1, 1.5, 2 in.	
	Cylindrical	4-Hole	300 lbs. (136 kg)	1 ¼ in. 3.2 cm	141003	141021	1, 1.5, 2 in.	
Clutch Locks	Style	Distal Attachment	Weight Rating	Build Height	Item Number	Fabrication Kit Number	Plungers	Features
	Ti Pyramid	Ti Pyramid	300 lbs. (136 kg)	1 ¾ in. 4.4 cm**	140010	140065	1.5, 2 in.	
	Delrin	None	N/A	1 ⅝ in. 2.9 cm****	140000	140065	1.5, 2 in.	
	Cylindrical	4-Hole	300 lbs. (136 kg)	1 ¼ in. 3.2 cm	140020	140065	1.5, 2 in.	
Pediatric Modular Locks	Style	Distal Attachment	Weight Rating	Build Height	Item Number	Fabrication Kit Number	Plungers	Features
	Ti Pyramid	Med. Ti Pyramid	132 lbs. (60 kg)	1 ¼ in. 3.2 cm**	FC100202	125420	1, 1.5 in.	
	Delrin	None	N/A	⅞ in. 2.2 cm****	125410	125420	1, 1.5 in.	
	Cylindrical	Ped 4-Hole	132 lbs. (60 kg)	1 in. 2.5 cm	FC100204	125420	1, 1.5 in.	

*Excludes Adapter **To Mid-dome ***Mid-dome to top of thread ****Does not include pin dummy

Feet
Adapters
Valves
Locks
Sleeves & Liners
Knees
Cosmetic Solutions
Auxiliary Suspension
Pediatric

Original Shuttle Lock



Specifications

Product weight: 2.26 oz. (64.2 g)
Build Height: 1.25 in. (32 mm)

Material: Delrin body
Distal Attachment: None



Ordering Information

Description	Product Number
Shuttle Lock Kit, without Plunger	125229
Shuttle Lock Kit, with Plunger 1.0 in. (25 mm), ¼-20 Thread	125234
Shuttle Lock Kit, with Plunger 1.5 in. (38 mm), ¼-20 Thread	125232
Shuttle Lock Kit, with Plunger 2.0 in. (51 mm), ¼-20 Thread	125237
Shuttle Lock Kit, with Plunger 1.0 in. (25 mm), M10 Thread	125234MM
Shuttle Lock Kit, with Plunger 1.5 in. (38 mm), M10 Thread	125232MM
Shuttle Lock Kit, with Plunger 2.0 in. (51 mm), M10 Thread	125237MM

Replacement Parts

809747 – Shuttle lock body	809730 – Latch pin button
125345 – Button shield	809732 – Mounting nut
809712 – Guide screw assembly	809757 – Pe-Lite washers ¾ in.
809731 – Latch pin	809758 – Pe-Lite washers 1 in.

Fabrication kit

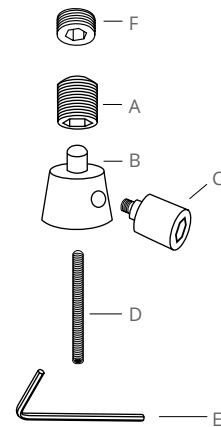
Description	Product Number
Fabrication Kit	125239

Replacement Parts

A 125314 – Threaded plug, ¾-16 × 1 in.	D 880490 – Set screw, ⅝-18 × 2 in.
B 125315 – Distal socket plug	E 885347 – Hex key ¼ in.
C 125348 – Plug screw f/shield	F 880928 – Threaded plug screw, ¾-16 × ⅝ in.

Shuttle lock plungers

Description	Product Number
Plunger 1.0 in. (25 mm), ¼-20 Thread	809722
Plunger 1.5 in. (38 mm), ¼-20 Thread	809725
Plunger 2.0 in. (51 mm), ¼-20 Thread	809727
Plunger 1.0 in. (25 mm), M10 Thread	809722MM
Plunger 1.5 in. (38 mm), M10 Thread	809725MM
Plunger 2.0 in. (51 mm), M10 Thread	809727MM
Plunger 2.5 in. (64 mm), M10 Thread	809720MM
Plunger 3.0 in. (76 mm), M10 Thread	809721MM



Modular Shuttle Lock with Titanium Pyramid



Specifications

Weight limit: 300 lbs. (136 kg)

Build Height: 1.5 in. (38 mm)

Product weight: 4.3 oz. (121.5 g)

Material: Titanium pyramid



Product Features

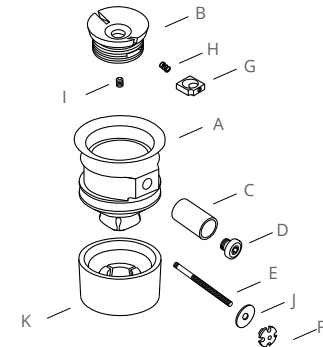
- One-piece, removable lock body
- See Lock System Chart on page 48

Ordering Information

Description	Product Number
Modular Shuttle Lock	125460

Replacement Parts

A	809795 – Titanium Pyramid Housing
B	809782 – Shuttle Body
C	809784 – Button Shield
D	809783 – Guide Screw
E	809731 – Latch Pin
F	809785 – Latch Pin Button
G	809711 – Shuttle Lock
H	809756 – Compression Spring
I	880033 – 6-32 × 3/16 in. Socket Head Set Screw
J	809787 – Pe-Lite Washer
K	124183 – Lamination Cap

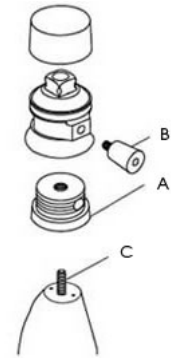


Fabrication kit

Description	Product Number
Fabrication kit	125239

Replacement Parts

A	809790 – Shuttle Body Dummy
B	809791 – Button Shield Dummy
C	880494 – 3/16-18 × 3 Socket Head Set Screw



Shuttle Lock Plungers

Description	Product Number
Plunger 1.0 in. (25 mm), 1/4-20 Thread	809722
Plunger 1.5 in. (38 mm), 1/4-20 Thread	809725
Plunger 2.0 in. (51 mm), 1/4-20 Thread	809727
Plunger 1.0 in. (25 mm), M10 Thread	809722MM
Plunger 1.5 in. (38 mm), M10 Thread	809725MM
Plunger 2.0 in. (51 mm), M10 Thread	809727MM
Plunger 2.5 in. (64 mm), M10 Thread	809720MM
Plunger 3.0 in. (76 mm), M10 Thread	809721MM



Modular Shuttle Lock with Delrin Housing



Specifications

Weight limit: N/A
Product weight: 2.2 oz. (62 g)
Build Height: 1.25 in. (32 mm)
Material: Delrin

Product Features

- One-piece, removable body
- Independent alignment
- See Lock System Chart on page 48



Ordering Information

Description	Product Number
Delrin Shuttle Lock, without Plunger	125459

Replacement Parts	
809780 – Large Delrin Shuttle Housing	809711 – Shuttle Lock
809782 – Shuttle Body	809756 – Compression Spring
809784 – Button Shield	809783 – Guide Screw
809731 – Latch Pin	880033 – 6-32 × 5/16 in. Socket Head Set Screw
809785 – Latch Pin Button	809787 – Pe-Lite™ Washer

Shuttle Lock Sub Assembly

Description	Product Number
Shuttle Lock Sub Assembly	809746

Replacement Parts	
809782 – Shuttle Body	809756 – Compression Spring
809711 – Shuttle Lock	880033 – 6-32 × 5/16 in. Socket Head Set Screw

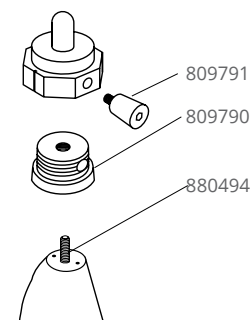
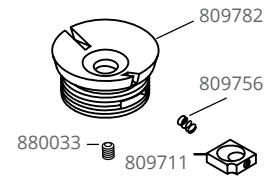
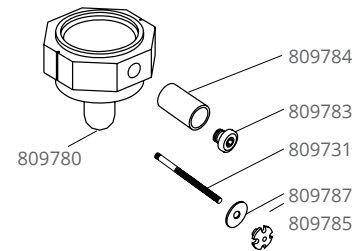
Fabrication kit

Description	Product Number
Fabrication kit	125239

Replacement Parts	
809790 – Shuttle Body Dummy	880494 – 5/16-18 × 3 in. Socket Head Set Screw
809791 – Button Shield Dummy	

Shuttle Lock Plungers

Description	Product Number
Plunger 1.0 in. (25 mm), 1/4-20 Thread	809722
Plunger 1.5 in. (38 mm), 1/4-20 Thread	809725
Plunger 2.0 in. (51 mm), 1/4-20 Thread	809727
Plunger 1.0 in. (25 mm), M10 Thread	809722MM
Plunger 1.5 in. (38 mm), M10 Thread	809725MM
Plunger 2.0 in. (51 mm), M10 Thread	809727MM
Plunger 2.5 in. (64 mm), M10 Thread	809720MM
Plunger 3.0 in. (76 mm), M10 Thread	809721MM



Feet
Adapters
Valves
Locks
Sleeves & Liners
Knees
Cosmetic Solutions
Auxiliary Suspension
Pediatric

Modular Shuttle Lock with Cylindrical Housing



Specifications

Weight limit: 300 lbs. (136 kg)
Product weight: 3.4 oz. (96 g)
Build Height: 1.0 in. (25 mm)
Material: Delrin

Product Features

- One-piece, removable body
- See Lock System Chart on page 48

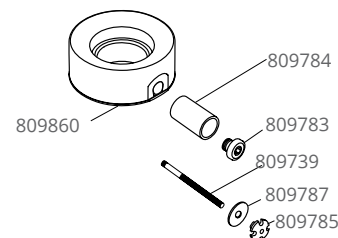


Ordering Information

Description	Product Number
Cylindrical Housing Shuttle Lock, without Plunger	125462

Replacement Parts

809860 – Cylindrical Housing	809785 – Latch Pin Button
809782 – Shuttle Body	809711 – Shuttle Lock
809784 – Button Shield	809756 – Compression Spring
809783 – Guide Screw	880033 – 6-32 × 5/16 in. Socket Head Set Screw
809739 – Latch Pin	809787 – Pe-Lite™ Washer



Shuttle Lock Sub Assembly

Description	Product Number
Shuttle Lock Sub Assembly	809746

Replacement Parts

809782 – Shuttle Body	809756 – Compression Spring
809711 – Shuttle Lock	880033 – 6-32 × 5/16 in. Socket Head Set Screw



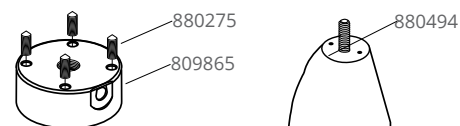
Fabrication Kit

Description	Product Number
Cylindrical Housing Dummy Kit	125239

Replacement Parts

809865 – Fabrication Dummy Body
880275 – M6 × 1 × 16 mm Socket Head Set Screw Cone Point
880494 – 5/16-18 × 3 in. Socket Head Set Screw

May also use Fabrication Kits 125204 and 125202 with this item



Shuttle Lock Plungers

Description	Product Number
Plunger 1.0 in. (25 mm), 1/4-20 Thread	809722
Plunger 1.5 in. (38 mm), 1/4-20 Thread	809725
Plunger 2.0 in. (51 mm), 1/4-20 Thread	809727
Plunger 1.0 in. (25 mm), M10 Thread	809722MM
Plunger 1.5 in. (38 mm), M10 Thread	809725MM
Plunger 2.0 in. (51 mm), M10 Thread	809727MM
Plunger 3.0 in. (76 mm), M10 Thread	809721MM



Modular Shuttle Lock with 4-Hole Housing



Specifications

Weight limit: 300 lbs. (136 kg)
Product weight: 3.6 oz. (102 g)
Build Height: 1.25 in. (32 mm)
Material: Aluminum housing, Delrin body

Product Features

- One-piece, removable body
- See Lock System Chart on page 48

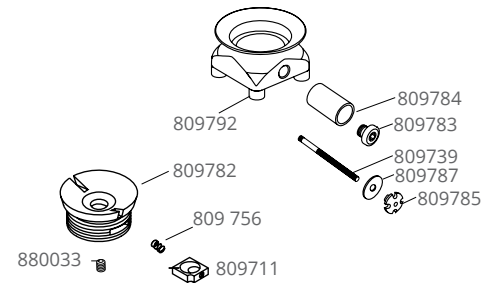


Ordering Information

Description	Product Number
4-Hole Shuttle Lock, without Plunger	125461

Replacement Parts

809792 – 4-Hole Shuttle Housing	809785 – Latch Pin Button
809782 – Shuttle Body	809711 – Shuttle Lock
809784 – Button Shield	809756 – Compression Spring
809783 – Guide Screw	880033 – 6-32 × 5/16 in. Socket Head Set Screw
809739 – Latch Pin	809787 – Pe-Lite™ Washer

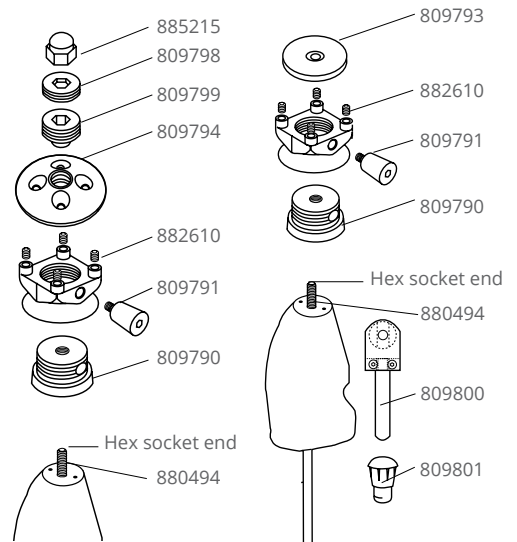


Fabrication Kit for Lamination

Description	Product Number
Fabrication Kit	125204

Replacement Parts

809790 – Shuttle Body Dummy	882610 – M6 × 10 Socket Set Screw (4 Each)
809791 – Button Shield Dummy	885215 – Nut 5/16-18 Acorn
880494 – 5/16-18 × 3 in. Socket Head Set Screw	809798 – Jam Screw
809794 – Flattening Plate	809799 – Jack Screw



Fabrication Kit for Thermoforming

Description	Product Number
Fabrication Kit	125202

Replacement Parts

809790 – Shuttle Body Dummy	882610 – M6 × 10 Socket Set Screw (4 Each)
809791 – Button Shield Dummy	809800 – Camlock Assembly
880494 – 5/16-18 × 3 in. Socket Head Set Screw	809801 – Hole Punch
809793 – Flattening Plate	

Fabrication Kit for Lamination

Fabrication kit for Thermoforming

Shuttle Lock Plungers

Description	Product Number
Plunger 1.0 in. (25 mm), 1/4-20 Thread	809722
Plunger 1.5 in. (38 mm), 1/4-20 Thread	809725
Plunger 2.0 in. (51 mm), 1/4-20 Thread	809727
Plunger 1.0 in. (25 mm), M10 Thread	809722MM
Plunger 1.5 in. (38 mm), M10 Thread	809725MM
Plunger 2.0 in. (51 mm), M10 Thread	809727MM
Plunger 2.5 in. (64 mm), M10 Thread	809720MM
Plunger 3.0 in. (76 mm), M10 Thread	809721MM



Cylindrical Lock



Specifications

- Weight limit:** 300 lbs. (136 kg)
- Product weight:** 2.8 oz. (80 g)
- Build Height:** 1 in. (25 mm)
- Material:** Delrin

Product Features

- Simple, single stage lamination
- Shuttle lock function
- Distal 4-hole pattern
- See Lock System Chart on page 48



Ordering Information

Description	Product Number
Cylindrical Lock with 2 × Plunger 1.0 in. (25 mm) M10 Thread	125240
Cylindrical Lock with 2 × Plunger 1.5 in. (37 mm) M10 Thread	125241

Replacement Parts

809685 – Latch Pin Button for Lock Systems	880285 – M6 × 1 × 25 mm Flat Socket Head Cap Screw, 4 each
809873 – Cylindrical Lock Body	

Fabrication Kit

Description	Product Number
Fabrication Kit	809867

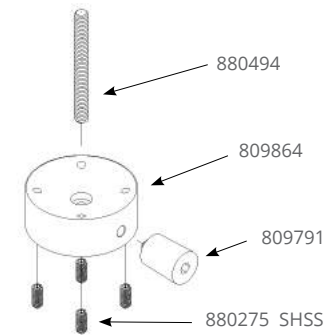
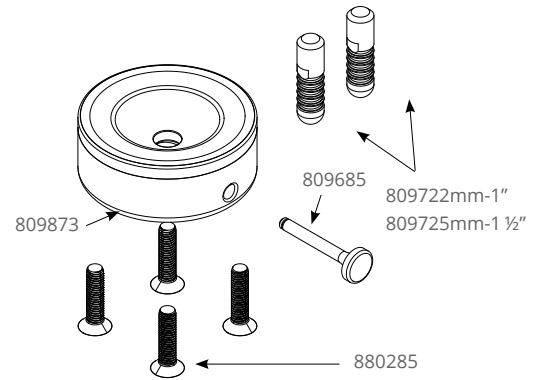
Replacement Parts

809864 – Fabrication Dummy Body
880275 – M6 × 1 × 16 mm Socket Head Set Screw
880494 – 5/16-18 × 3 in. Socket Head Set Screw
809791 – Button Shield Dummy

May also use Fabrication Kits 125204 and 125202 with this item

Shuttle Lock Plungers

Description	Product Number
Plunger 1.0 in. (25 mm), 1/4-20 Thread	809722
Plunger 1.5 in. (38 mm), 1/4-20 Thread	809725
Plunger 2.0 in. (51 mm), 1/4-20 Thread	809727
Plunger 1.0 in. (25 mm), M10 Thread	809722MM
Plunger 1.5 in. (37 mm), M10 Thread	809725MM
Plunger 2.0 in. (51 mm), M10 Thread	809727MM
Plunger 2.5 in. (64 mm), M10 Thread	809720MM
Plunger 3.0 in. (76 mm), M10 Thread	809721MM



Gator Grip with Ti Pyramid Lock



Specifications

- Weight limit: 300 lbs. (136 kg)
- Product weight: 4.7 oz. (133 g)
- Build Height: 1.5 in. (39 mm)
- Material: Titanium pyramid

Product Features

- Waterproof
- Stepless, soundless locking
- Salt water resistant
- Available rigid or flexible plunger made of stainless steel (not included)

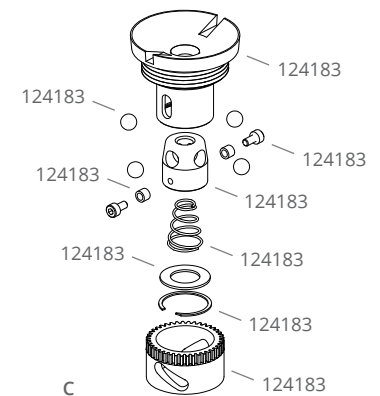
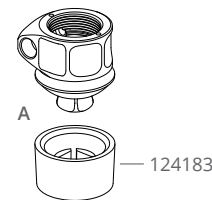
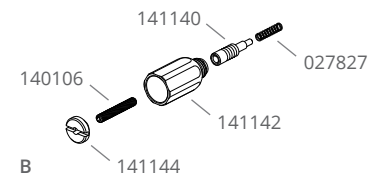


Ordering Information

Description	Product Number
Gator Grip Lock Kit, with Pyramid Housing	141002

Replacement Parts

- A** 141160 – Hard Anodized Aluminum Housing, with Titanium Pyramid
- B** 141105 – Release Assembly with Spring, 1 Each
 - 027827 – Compression Spring, Stainless, 1 Each
 - 140106 – Latch Pin, 1 Each
 - 141140 – Release Rack, 1 Each
 - 141142 – Button Shield, 1 Each
 - 141144 – Latch Pin Button, 1 Each
- C** 141100 – Gator Grip Modular Lock Cartridge
 - 141110 – 316 Stainless Steel 7/32" Ball Bearing, 4 Each
 - 141112 – 316 Stainless Steel Internal Retaining Ring, 1 Each
 - 141114 – 316 Stainless Steel Flat Washer, 1 Each
 - 141120 – Gear Driven Release Cam, 1 Each
 - 141122 – Cam Follower Spacer, 2 Each
 - 141130 – Modular Lock Cartridge Housing, Titanium, 1 Each
 - 141132 – Ball Retainer, 1 Each
 - 027826 – Conical Compression Spring, Stainless Steel
 - 882410 – Cam Follower Screw, 2 Each



Fabrication Kit

Description	Product Number
Gator Grip Fabrication Kit for Delrin and Pyramid Housing	141020

Replacement Parts

- 141190 – Fabrication Dummy
- 141192 – 1.5 in. (37 mm) Plunger Extension
- 141194 – 2 in. Plunger Extension
- 141195 – Button Dummy
- 880494 – 3/16-18 x 3 in. Socket Head Set Screw

Gator Grip Plungers with M10 Thread

Description	Product Number
Flexible Plunger, 1.5 in. (38 mm)	141010
Flexible Plunger, 2.0 in. (51 mm)	141011
Flexible Plunger, 2.5 in. (64 mm)	141012
Rigid Plunger, 1.0 in. (25 mm)	141015
Rigid Plunger, 1.5 in. (38 mm)	141016
Rigid Plunger, 2.0 in. (51 mm)	141017



Gator Grip Delrin Lock



Specifications

Weight limit: N/A
Product weight: 2.6 oz. (74 g)
Build Height: 1.25 in. (32 mm)
Material: Delrin

Product Features

- Waterproof
- Salt water resistant
- Available rigid or flexible plunger made of stainless steel (not included)

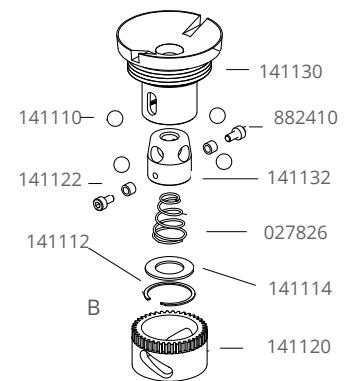


Ordering Information

Description	Product Number
Gator Grip Lock Kit, with Delrin Housing	141001

Replacement Parts

- 141150 – Delrin Housing
- A** 141105 – Release Assembly with Spring
- 027827 – Compression Spring, Stainless
- 140106 – Latch Pin
- 141140 – Release Rack
- 141142 – Button Shield
- 141144 – Latch Pin Button
- B** 141100 – Gator Grip Modular Lock Cartridge
- 141110 – 316 Stainless Steel 7/32 in. Ball Bearing, 4 Each
- 141112 – 316 Stainless Steel Internal Retaining Ring
- 141114 – 316 Stainless Steel Flat Washer
- 141120 – Gear Driven Release Cam
- 141122 – Cam Follower Spacer, 2 Each
- 141130 – Modular Lock Cartridge Housing, Titanium
- 141132 – Ball Retainer
- 027826 – Conical Compression Spring, Stainless Steel
- 882410 – Cam Follower Screw, 2 Each



Fabrication Kit

Description	Product Number
Gator Grip Fabrication Kit for Delrin and Pyramid Housing	141020

Replacement Parts

- 141190 – Fabrication Dummy
- 141192 – 1 1/2 in. Plunger Extension
- 141194 – 2 in. Plunger Extension
- 141195 – Button Dummy, 1 Each
- 880494 – 5/16-18 x 3 in. Socket Head Set Screw

Gator Grip Plungers with M10 Thread

Description	Product Number
Flexible Plunger, 1.5 in. (38 mm)	141010
Flexible Plunger, 2.0 in. (51 mm)	141011
Flexible Plunger, 2.5 in. (64 mm)	141012
Rigid Plunger, 1.0 in. (25 mm)	141015
Rigid Plunger, 1.5 in. (38 mm)	141016
Rigid Plunger, 2.0 in. (51 mm)	141017



Gator Grip Cylindrical Lock



Specifications

Weight limit: 300 lbs. (136 kg)
Product weight: 4.6 oz. (132 g)
Build Height: 1.25 in. (32 mm)
Material: Delrin

Product Features

- Waterproof
- Salt water resistant
- Available rigid or flexible plunger made of stainless steel (not included)

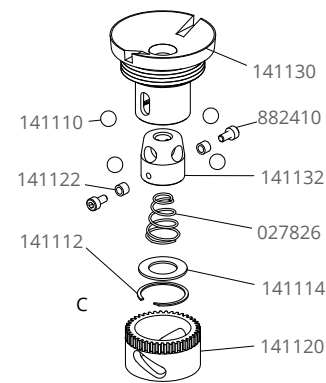
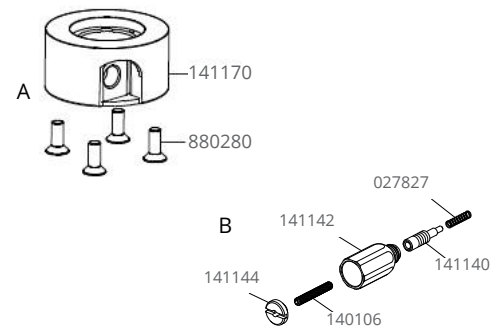


Ordering Information

Description	Product Number
Gator Grip Lock Kit, with Cylindrical Housing	141003

Replacement Parts

A	141150 – Delrin Housing
B	141105 – Release Assembly with Spring
	027827 – Compression Spring, Stainless
	140106 – Latch Pin
	141140 – Release Rack
	141142 – Button Shield
	141144 – Latch Pin Button
C	141100 – Gator Grip Modular Lock Cartridge
	141110 – 316 Stainless Steel 7/32 in. Ball Bearing, 4 Each
	141112 – 316 Stainless Steel Internal Retaining Ring
	141114 – 316 Stainless Steel Flat Washer
	141120 – Gear Driven Release Cam
	141122 – Cam Follower Spacer, 2 Each
	141130 – Modular Lock Cartridge Housing, Titanium
	141132 – Ball Retainer
	027826 – Conical Compression Spring, Stainless Steel
	882410 – Cam Follower Screw, 2 Each

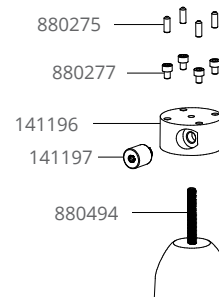


Fabrication Kit

Description	Product Number
Gator Grip Fabrication Kit, for Cylindrical Housing	141021

Replacement Parts

141196 – Fabrication Dummy	880275 – M6 × 1 × 16 mm Socket Head Set Screw, 4 Each
141197 – Button Dummy	880277 – M6 × 1 × 8 mm Socket Head Cap Screw, 4 Each
880494 – 5/16-18 × 3 in. Socket Head Set Screw	141022 – Fabrication Kit, for Thermoforming
880277 – M6 × 1 × 8 mm Socket Head Cap Screw, 4 Each	141024 – Fabrication Kit, for Lamination



Gator Grip Plungers with M10 Thread

Description	Product Number
Flexible Plunger, 1.3 in. (33 mm)	141009
Flexible Plunger, 1.5 in. (38 mm)	141010
Flexible Plunger, 2.0 in. (51 mm)	141011
Flexible Plunger, 2.5 in. (64 mm)	141012
Rigid Plunger, 1.0 in. (25 mm)	141015
Rigid Plunger, 1.5 in. (38 mm)	141016
Rigid Plunger, 2.0 in. (51 mm)	141017



Clutch Lock with Titanium Pyramid



Specifications

Weight limit: 300 lbs. (136 kg)
Product weight: 5.5 oz. (157 g)
Build Height: 1.75 in. (44 mm)
Material: Titanium pyramid

Product Features

- One way valve
- Plunger sold separately



Ordering Information

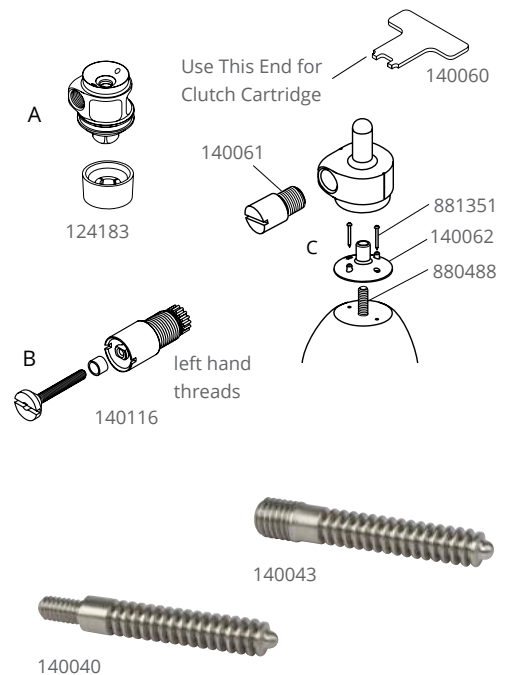
Description	Product Number
Pyramid Clutch Lock Kit, without Plunger	140010

Replacement Parts

A	140002 – Delrin Housing, for Clutch Lock
B	140150 – Clutch Lock, with Air Expulsion 140116 – Latch Pin
C	140065 – Fabrication Kit, for Clutch Lock 140060 – Wrench 140061 – Clutch Housing Dummy 140062 – Distal Attachment Dummy 880488 – ¼-20 × 2 in. Socket Head Set Screw 881351 – Brass Nail

Clutch Lock Plungers

Description	Product Number
Plunger, 1.5 in. (38 mm), ¼-20 Thread	140041
Plunger, 2.0 in (51 mm), ¼-20 Thread	140040
Plunger, 1.5 in. (38 mm), M10 Thread	140044
Plunger, 2.0 in. (51 mm), M10 Thread	140043



Clutch Lock with Delrin Housing



Specifications

Weight limit: N/A
 Product weight: 2.6 oz. (75 g)
 Build Height: 1.12 in. (29 mm)
 Material: Delrin

Product Features

- Tightening possible using locking mechanism
- Plunger sold separately
- One-way valve



Ordering Information

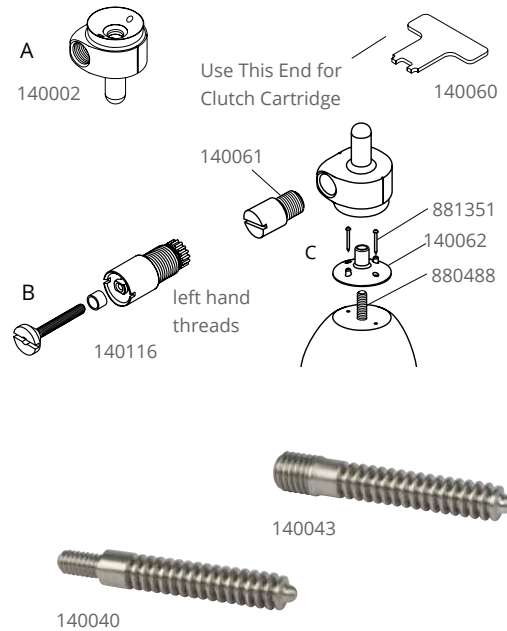
Description	Product Number
Delrin Clutch Lock Kit, without Plunger	140000

Replacement Parts

- A** 140002 – Delrin Housing, for Clutch Lock
- B** 140150 – Clutch Lock, with Air Expulsion
 140116 – Latch Pin
- C** 140065 – Fabrication Kit, for Clutch Lock
 140060 – Wrench
 140061 – Clutch Housing Dummy
 140062 – Distal Attachment Dummy
 880488 – ¼-20 × 2 in. Socket Head Set Screw
 881351 – Brass Nail

Clutch Lock Plungers

Description	Product Number
Plunger, 1.5 in. (38 mm), ¼-20 Thread	140041
Plunger, 2.0 in (51 mm), ¼-20 Thread	140040
Plunger, 1.5 in. (38 mm), M10 Thread	140044
Plunger, 2.0 in. (51 mm), M10 Thread	140043



Clutch Lock with Cylindrical 4-Hole Housing



Specifications

Weight limit: 300 lbs. (136 kg)
 Product weight: 4.2 oz. (120 g)
 Build Height: 1.25 in. (32 mm)
 Material: Delrin

Product Features

- One way valve
- Plunger sold separately

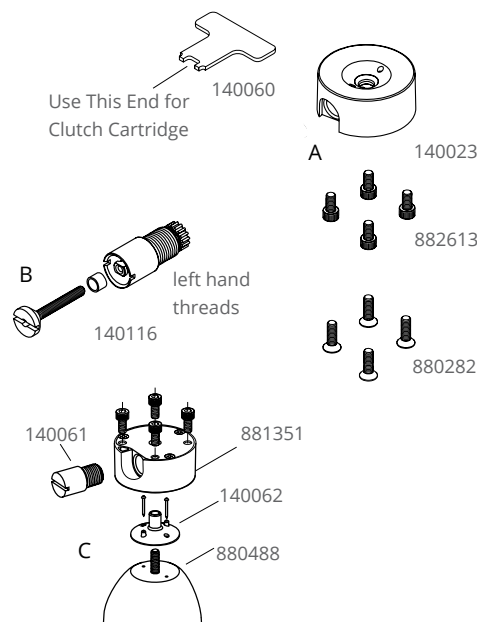


Ordering Information

Description	Product Number
4-Hole Cylindrical Clutch Lock Kit, without Plunger	140020

Replacement Parts

- A** 140023 – 4-Hole Cylindrical Housing, for Clutch Lock
 880282 – M6 × 1 × 20 mm Flat Head Socket Cap Screw
 882613 – M6 × 1 × 12 mm Socket Head Cap Screw
- B** 140150 – Clutch Lock, with Air Expulsion
 140116 – Latch Pin
- C** 140065 – Fabrication Kit, for Clutch Lock
 140060 – Wrench
 140061 – Clutch Housing Dummy
 140062 – Distal Attachment Dummy
 880488 – ¼-20 × 2 in. Socket Head Set Screw
 881351 – Brass Nail



Fabrication Dummy Kit (Cylindrical 4-hole Housing)

Description	Product Number
Clutch Lock Fabrication Kit	140065

Clutch Lock Plungers

Description	Product Number
Plunger, 1.5 in. (38 mm), ¼-20 Thread	140041
Plunger, 2.0 in. (51 mm), ¼-20 Thread	140040
Plunger, 1.5 in. (38 mm), M10 Thread	140044
Plunger, 2.0 in. (51 mm), M10 Thread	140043



Feet

Adapters

Valves

Locks

Sleeves & Liners

Knees

Cosmetic Solutions

Auxiliary Suspension

Pediatric

Shuttle Vac



Specifications

Weight limit: N/A

Weight: 0.1 oz. (2.6 g)

Build Height: 1.25 in. (31 mm)

Material: Delrin

Product Features

- Retrofits to Fillauer Original Shuttle Lock attachment nut
- Uses water resistant duckbill valve design
- Adds versatility and clinical suspension options
- Allows patient evaluation of suction



Ordering Information

Description	Product Number
Shuttle Vac	125900

Feet

Adapters

Valves

Locks

Sleeves & Liners

Knees

Cosmetic Solutions

Auxiliary Suspension

Pediatric

Shuttle Lock Plungers



With M10 Metric Thread

Description	Product Number
Plunger, 1.0 in. (25 mm)	809722MM
Plunger, 1.5 in. (37 mm)	809725MM
Plunger, 2.0 in. (51 mm)	809727MM
Plunger, 2.5 in. (64 mm)	809720MM
Plunger, 3.0 in. (76 mm)	809721MM

With ¼-20 Thread

Description	Product Number
Plunger, 1.0 in. (25 mm)	809722
Plunger, 1.5 in. (37 mm)	809725
Plunger, 2.0 in. (51 mm)	809727
Extension Adapter, 1.0 in. (25 mm) for Plunger (Not Pictured)	809718

Gator Grip Plungers



With M10 Metric Thread

Description	Product Number
Flexible plunger, 1.5 in. (37 mm)	141010
Flexible plunger 2.0 in. (51 mm)	141011
Flexible plunger 2.5 in. (64 mm)	141012
Rigid plunger 1.0 in. (25 mm)	141015
Rigid plunger 1.5 in. (37 mm)	141016
Rigid plunger 2.0 in. (51 mm)	141017

Clutch Lock Plungers



With M10 Thread

Description	Product Number
Plunger, 1.5 in. (37 mm)	140044
Plunger, 2.0 in. (51 mm)	140043

With ¼-20 Thread

Description	Product Number
Plunger, 1.5 in. (37 mm)	140041
Plunger, 2.0 in. (51 mm)	140040

Lanyard Plunger



With M10 Metric Thread

Description	Product Number
Plunger 1.0 in. (25 mm)	809922MM
Plunger 1.5 in. (37 mm)	809925MM

With ¼-20 Thread

Description	Product Number
Plunger 1.0 in. (25 mm)	809922
Plunger 1.5 in. (37 mm)	809925
Plunger 2.0 in. (51 mm)	809927

Small Delrin Shuttle Lock Plungers



With M10 Metric Thread

Description	Product Number
Plunger, 1.0 in. (25 mm)	809826MM
Plunger, 1.5 in. (37 mm)	809827MM

With M6 Metric Thread

Description	Product Number
Plunger, 1.0 in. (25 mm)	809823MM
Plunger, 1.5 in. (37 mm)	809825MM

With ¼-20 Thread

Description	Product Number
Plunger, 1.0 in. (25 mm)	809826
Plunger, 1.5 in. (37 mm)	809827

Lock Device Plungers



Description	Product Number
Plunger, For Use with PDI Device (Special Order)	809768
Plunger, For Use with Iceross Lock Device	809770
Plunger, M10 Iceross® Style, For Use with Clutch Lock Only	809771

Latch Pins



Ordering Information

Description	Product Number
Latch Pin, 10-32 × 2 in. for Regular Shuttle Locks	809731
Latch Pin, 10-32 × 3.5 in. for Transfemoral	809728
Latch Pin, 6-32 × 2 in. for Small Shuttle Locks	809729
Latch Pin, 6-32 × 3.5 in. for Small Shuttle Locks	809734



Cord Lock



Specifications

Weight limit: N/A

Build Height: 1.5 in. (39 mm)

Product weight: 2.3 oz. (66 g)

Material: Delrin

Product Features

- Developed for use with liners with M10 thread
- Can be pulled down in the center without adding unnecessary distal load on the stump

Ordering Information

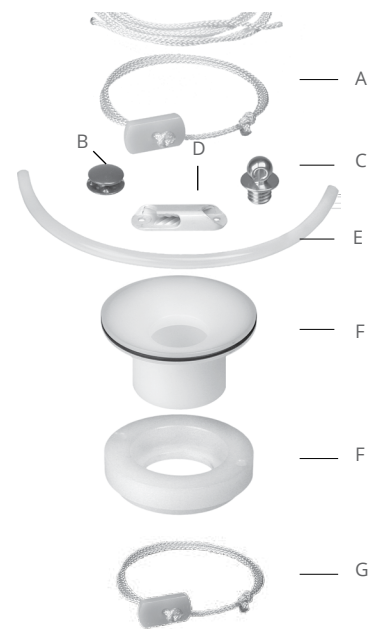
Description	Product Number
Cord Lock Universal, complete	73120001

REPLACEMENT PARTS

- A 731200010 – Polyester cord
- B 731200009 – Lock knob
- C 731200014 – Distal hook for socket, M10
- D 731200013 – Clam cleat
- E 731200011 – PTFE tube
- F 731200015 – Funnel and ring
- G 731200018 Funnel tool

Accessories

Description	Product Number
Dummy kit for cord lock universal	731200016
Extra silicone dummy for pyramid/ cord lock	731200017





Sleeves & Liners

Absolute Preflexed Sleeve



Specifications

Length: 15.7 in. (40 cm)

Material: TPE gel & elastic fabric

Product Features

- Thermoformable gel (TPE) for custom fit
- Infused medical grade oil for skin protection
- Greater heat transfer than silicone
- Extra-soft gel
- Reinforced on the inside of the knee to ensure a longer life



Ordering Information

Absolute Preflexed Suspension Sleeve 3mm

Size	Distal Circumference	Proximal Circumference*	● Beige	● Black
Small	8.3 – 9.8 in. (21 – 25 cm)	10.2 – 12.2 in. (26 – 31 cm)	803471314	803461314
Medium	10.2 – 12.6 in. (26 – 32 cm)	12.2 – 15.0 in. (31 – 38 cm)	803471318	803461318
Medium+	11.8 – 14.2 in. (30 – 36 cm)	15.0 – 17.3 in. (38 – 44 cm)	803471322	803461322
Large	12.6 – 15.7 in. (32 – 40 cm)	17.3 – 19.7 in. (44 – 50 cm)	803471326	803461326
Large+	13.4 – 16.5 in. (34 – 42 cm)	19.7 – 23.6 in. (50 – 60 cm)	803471332	803461332
X-Large	15.7 – 19.3 in. (40 – 49 cm)	23.6 – 27.6 in. (60 – 70 cm)	803471340	803461340

*NOTE: The proximal circumference is measured 15 cm above the mid-patella tendon. The distal circumference is measured 15 cm below the mid-patella tendon.

Absolute Straight Sleeve



Specifications

Length: 13.8 in. (35 cm)

Material: TPE gel & elastic fabric

Product Features

- Thermoformable gel (TPE) for custom fit
- Infused medical grade oil for skin protection
- Extra-soft gel



Ordering Information

Absolute Straight Suspension Sleeve 3 mm

Size	Distal Circumference	Proximal Circumference*	● Beige	● Black
X-Small	3.9 – 6.7 in. (10 – 17 cm)	6.3 – 9.4 in. (16 – 24 cm)	803371301	803361301
Small	5.9 – 8.7 in. (15 – 22 cm)	9.1 – 13.4 in. (23 – 34 cm)	803371302	803361302
Medium	8.3 – 11.8 in. (21 – 30 cm)	11.4 – 16.9 in. (29 – 43 cm)	803371303	803361303
Medium+	9.4 – 13.8 in. (24 – 35 cm)	13.0 – 18.5 in. (33 – 47 cm)	803371304	803361304
Large	11.0 – 16.5 in. (28 – 42 cm)	14.2 – 20.1 in. (36 – 51 cm)	803371305	803361305
Large+	12.2 – 18.1 in. (31 – 46 cm)	15.4 – 21.7 in. (39 – 55 cm)	803371306	803361306
X-Large	13.4 – 19.7 in. (34 – 50 cm)	16.5 – 23.6 in. (42 – 60 cm)	803371307	803361307
XX-Large	14.2 – 21.7 in. (36 – 55 cm)	17.3 – 27.6 in. (44 – 70 cm)	803371308	803361308

*NOTE: The proximal circumference is measured 15 cm above the mid-patella tendon. The distal circumference is measured 15 cm below the mid-patella tendon.

Absolute Straight Sleeve – No Fabric



Specifications

Length: 13.8 in. (35 cm)

Material: Micro-coated TPE gel

Product Features

- Very high elasticity
- Micro-coating on the outside for easy cleaning & donning
- Thermoformable gel (TPE) for custom fit
- Sticky on the inside
- Extra-soft gel



Ordering Information

Absolute Straight Suspension Sleeve 3 mm

Size	Distal Circumference*	Proximal Circumference*	product number
Small	5.5 – 8.3 in. (14 – 21 cm)	9.0 – 13.8 in. (23 – 35 cm)	803311314
Medium	7.0 – 10.6 in. (18 – 27 cm)	10.2 – 15.3 in. (26 – 39 cm)	803311318
Medium+	8.7 – 13.0 in. (22 – 33 cm)	11.8 – 17.7 in. (30 – 45 cm)	803311322
Large	10.0 – 15.3 in. (26 – 39 cm)	13.8 – 20.9 in. (35 – 53 cm)	803311326
Large+	12.6 – 18.9 in. (32 – 48 cm)	16.1 – 24.4 in. (41 – 62 cm)	803311332
X-Large	15.7 – 23.6 in. (40 – 60 cm)	18.5 – 28.0 in. (47 – 71 cm)	803311340

*NOTE: The proximal circumference is measured 15 cm above the mid-patella tendon. The distal circumference is measured 15 cm below the mid-patella tendon.

Custom Made Liner



2710 Amnicola Highway
 Chattanooga, TN 37406
 423.624.0946
 Fax 423.698.6076
 centralfab@fillauer.com

Patient name / number:

Date & Ordered by:

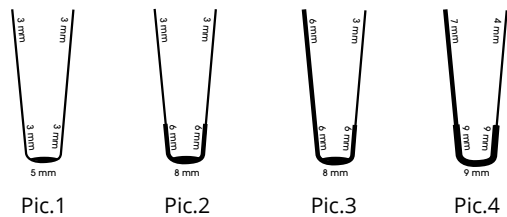
Phone / email:

Purchasing order #:

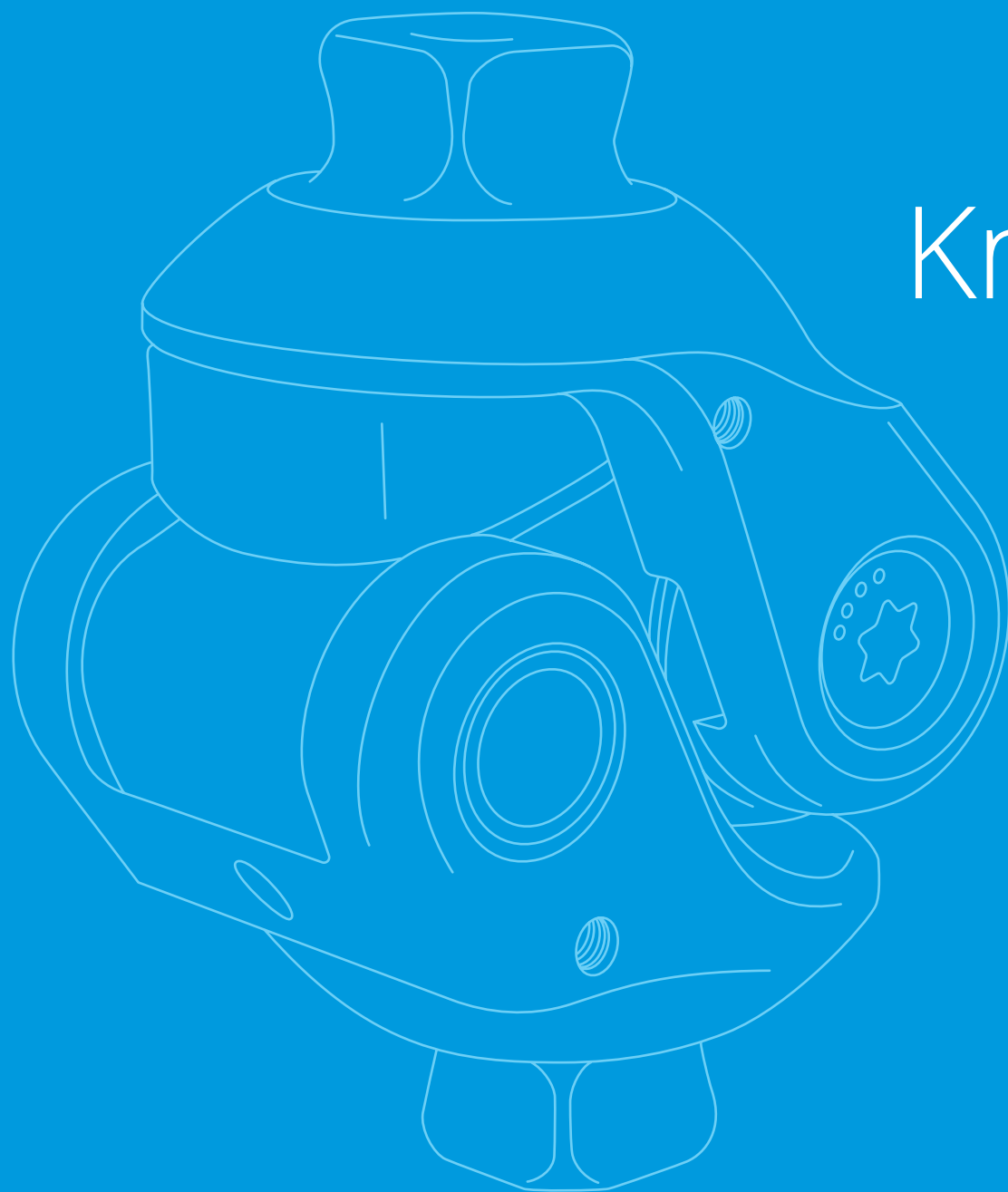
Customer:

Ordering Information			
First order: <input type="checkbox"/> Repeat order: <input type="checkbox"/>			
	Type of liner	Prod. No First order	Prod. No Repeat order
	Cushion liner, black	801100301	801100302
	Cushion liner, beige	801100401	801100402
	Locking liner, black	802100301	802100302
	Locking liner, beige	802100401	802100402
Options:			
	3 mm Uniform (pic.1)		
	6 mm Tapered (pic.2)		
	3+6 mm Contoured (pic.3)		
	9 mm Contoured (only available in cushion, thick bottom, pic.4)		
	Thick bottom		
	Thin bottom		
	Full matrix, recommended for AK prosthetic users		

Important Information
<ul style="list-style-type: none"> • Provide us with a positive plaster cast • Make sure that the cast is 50 mm longer than the requested length of the liner • The cast should be reduced approx. 4 - 6% on circumferential measurements • Please state if and where you need extra cushion or other custom solutions to your liner • Please mark the following on the cast <ul style="list-style-type: none"> - Side - Requested length



Instructions (sensitive areas etc.):



Knees

Endurance Hydraulic 160 Knee System



K3 **TF**

Specifications

Weight limit: 300 lbs. (136 kg)
Product weight: 2.5 lbs. (1134 g)
Flexion: 110°

Product Features

- Shorter 160 mm hydraulic unit
- Swing and stance hydraulic control
- A-P stability adjustment
- Standard stance phase hydraulic control
- Adjustable yield rate
- Proximal attachments sold separately (each)



Ordering Information

Description	Product Number
Endurance 160 Knee System	62041

Replacement Parts

- 62042 - Endurance 160 Hydraulic Unit
- 62206 - Mounting Kit (Not Pictured)
- 62122 - Endurance 160 Knee Frame, with Proximal Adjustment Screw
- 62208 - Knee Cap



Description	Product Number
Mounting Kit for Ossur Gaitmaster Low Profile and Other 160 Size Frames	62206

Attachment Choices

Description	Product Number
Threaded Adapter, Female Dovetail, Lock Screws	62203
4-Hole Plate, Female Dovetail, Lock Screws	62204
Pyramid, Female Dovetail, Lock Screws	62205
4-Hole Pyramid Adapter, with Through Hole, Titanium, Lock Screws	60254
4-Hole Pyramid Adapter, Stainless Steel, Lock Screws	60416



Hydraulic Control



TF

Product Features

- Designed to emulate natural gait
- Programs flexion and extension through specially engineered ports
- Automatic adjustment for cadence, correct heel rise, and terminal impact
- Also available for knee disarticulation setups
- Independently adjustable flexion and extension resistance



Ordering Information

Description	Product Number
Dupaco Control	52211
Dupaco Control, Multiplex (Fits Entegra Frame)	70465

Feet

Adapters

Valves

Locks

Sleeves & Liners

Knees

Cosmetic Solutions

Auxiliary Suspension

Pediatric

Spectrum EX 4-Bar Pneumatic Knee



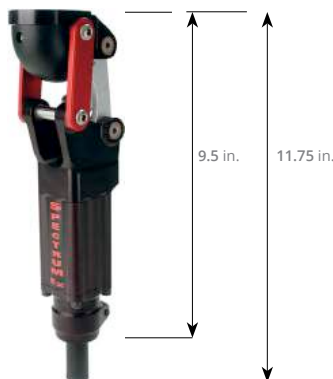
K3 **TF**

Specifications

Weight limit: 300 lbs
 Product weight: 28 oz. (794 g)
 Flexion: 160°

Product Features

- Improves patient control through link geometry
- Adjustable knee stability
- Easy “glide-flex” action
- Choice of proximal attachments (one required)
- Enhanced pneumatic control system
- Four easily interchangeable springs provide adjustable extension assist



Ordering Information

Description	Above Knee Center	Overall Above Knee Center	Weight	Product Number
Spectrum 4-Bar Pneumatic Knee	3/16 in. (14 mm)	3/16 in. (14 mm)	28 oz. (794 g)	61245
Knee Pad	-	-	-	61240
Knee Pad Screw	-	-	-	61242
Side Knee Pad Screws (2 Each)	-	-	-	61243

Proximal Adapter Components

Description	Above Knee Center	Overall Above Knee Center	Weight	Product Number
Pyramid Adapter, with Bolt	3/16 in. (20 mm)	1 5/16 in. (26 mm)	1.5 oz. (42 g)	61338
Bolt, M10 × 40 mm	-	-	-	58607
Slide Adapter, with Bolt	3/16 in. (20 mm)	1 1/8 in. (26 mm)	2.1 oz. (60 g)	61337
Bolt, M10 × 28 mm	-	-	-	61570
Threaded Adapter, with Bolt	7/8 in. (22 mm)	1 1/16 in. (25 mm)	1.7 oz. (50 g)	61786
Bolt, M10 × 35 mm	-	-	-	61339
4-Hole Adapter, with Bolt	7/8 in. (22 mm)	7/8 in. (22 mm)	1.9 oz. (56 g)	61336
Bolt, M10 × 25 mm	-	-	-	61246



61336



61786



61338



61337

W.A.L.K. (Weight Activated Locking Knee)



K1 K2 TF

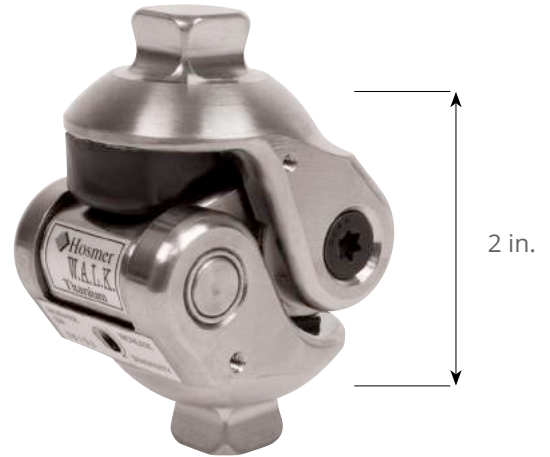
Specifications

Weight limit: Titanium – 300 lbs. (136 kg)
Aluminum – 220 lbs. (100 kg)

Product weight: Titanium – 12 oz. (350g)
Aluminium – 11.4 oz. (316g)

Build height: 2 in. (51 mm)

Flexion: 145°



Product Features

- Brakes on weight bearing for extra degree of stability
- Independent friction and stabilizing sensitivity adjustments
- Includes patella cover and adjustable extension assist

Ordering Information

Description	Product Number
W.A.L.K. Titanium	60794
W.A.L.K. Aluminum	60785

Components for W.A.L.K.

Description	Product Number
Extension Assist Kit	60825
Patella	60709

S.A.F.K. (Single Axis Friction Knee)



- K1
- K2
- TF

Specifications

Weight limit: Titanium – 300 lbs. (136 kg)
 Aluminum – 220 lbs. (100 kg)

Product weight: Titanium – 12 oz. (350g)
 Aluminium – 11.4 oz. (316g)

Build height: 2 in. (51 mm)

Flexion: 145°



Product Features

- Adjustable constant friction
- Includes patella cover and adjustable extension assist

Ordering Information

Description	Product Number
S.A.F.K. Titanium	60821
S.A.F.K. Aluminum	60823

Components for S.A.F.K.

Description	Product Number
Extension Assist Kit	60825
Patella	60709

S.A.L.K. (Single Axis Locking Knee)



- K1
- K2
- TF

Specifications

- Weight limit: 300 lbs. (136 kg)
- Product weight: 9.3 oz. (264g)
- Build height: 3.25 in. (82 mm)
- Flexion: 135°

Product Features

- Locks in extension
- Includes patella cover



Ordering Information

Description	Product Number
S.A.L.K. Aluminum	60471

Components for S.A.L.K.

Description	Product Number
Lock Release Assembly	60847
Cable Assembly	61088
Cable Housing Anchor	50427
Cable Housing	56191
Sheath, Knee	60475

MightyMite® 4-Bar Knee



- K2
- K3
- K4
- TF

Specifications

Weight limit: 132 lbs. (60 kg)
 Product weight: 9.1 oz. (257.9 g)
 Material: Aluminum

Product Features

- Adjustable extension assist
- Adjustable friction
- Multiple attachment option



FC100510

FC100500

Ordering Information

Description	Product Number
4-Bar Knee, includes Pyramid Adapter	FC100510
4-Bar Knee, without Proximal Attachment	FC100500

See additional information about MightyMite 4-Bar Knee on page 97.

MightyMite® 4-Bar Knee Proximal Attachments



- TF

Specifications

Weight limit: 132 lbs. (60 kg)

Ordering Information

Description	Material	Product Number
Pyramid Adapter	Titanium	FC100501
Slide Adapter	Aluminum	FC100502
4-Hole Adapter	Aluminum	FC100503
Threaded Adapter	Aluminum	FC100504
4-Hole Plate with Male Dovetail	Aluminum	FC100505



FC100501



FC100502



FC100503



FC100504



FC100505



Cosmetic Solutions

Dream Skin

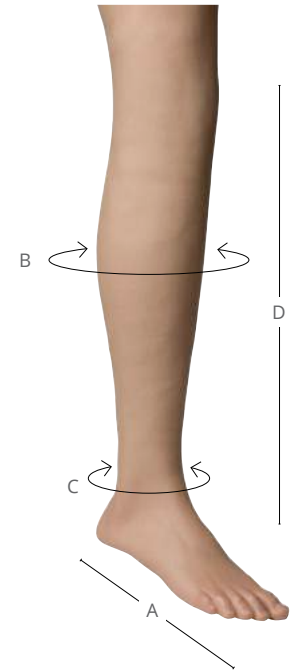


Specifications

Durability: Meets ISO 22523

Product Features

- Airbrushed dual layer PVC with fibers for natural definition
- Good tear resistance
- Micro Coated for durability, easy cleaning and low friction against clothing
- Water resistant
- Recyclable
- Free from all heavy metals and phthalates
- Available with sandal toe



Ordering Information

Standard

Foot Size (A)	Calf size min (B)	Ankle size min (C)	Length (D)	Left	Right
21 – 22 cm	12.0 in. (305 mm)	7.5 in. (190 mm)	19.7 in. (500 mm)	421221R/YXX4	421222R/YXX4
23 – 24 cm	12.6 in. (320 mm)	7.9 in. (200 mm)	21.7 in. (550 mm)	423241R/YXX4	423242R/YXX4
25 – 26 cm	13.4 in. (340 mm)	8.2 in. (210 mm)	23.6 in. (600 mm)	425261R/YXX4	425262R/YXX4
27 – 28 cm	14.0 in. (355 mm)	8.5 in. (215 mm)	21.7 in. (550 mm)	427281R/YXX4	427282R/YXX4
29 – 30 cm	14.6 in. (370 mm)	8.7 in. (220 mm)	25.6 in. (650 mm)	429301R/YXX4	429302R/YXX4

Sandal Toe

Foot Size (A)	Calf size min (B)	Ankle size min (C)	Length (D)	Left	Right
21 – 22 cm	12.0 in. (305 mm)	7.5 in. (190 mm)	19.7 in. (500 mm)	421223R/YXX4	421224R/YXX4
23 – 24 cm	12.6 in. (320 mm)	7.9 in. (200 mm)	21.7 in. (550 mm)	423243R/YXX4	423244R/YXX4
25 – 26 cm	13.4 in. (340 mm)	8.2 in. (210 mm)	23.6 in. (600 mm)	425263R/YXX4	425264R/YXX4
27 – 28 cm	14.0 in. (355 mm)	8.5 in. (215 mm)	21.7 in. (550 mm)	427283R/YXX4	427284R/YXX4
29 – 30 cm	14.6 in. (370 mm)	8.7 in. (220 mm)	25.6 in. (650 mm)	429303R/YXX4	429304R/YXX4

Color Guide

Description	Product Number
Natural Definition Guide R01-08 / Y01-08	611200003



Foam Fairings for Transtibial Prosthesis



Specifications

Material: Closed cell polyethylene foam



Ordering Information

Description	Product Number
Foam Fairing, Medium Density, 6 × 18 in. (152 × 457 mm)	189112
Foam Fairing, Medium Density, 6 × 21.5 in. (152 × 546 mm)	189116
Foam Fairing, Medium Density, 6 × 24 in. (152 × 605 mm)	189117
Foam Fairing, Medium Density, 6 × 18 in. with Cavity (152 × 457 mm)	189118

Expanded Pe-Lite™ Leg Covers for Transtibial Prosthesis



Product Features

- Suede-like finish
- Durable and easily cleaned
- Shrinks to shape when heated



Ordering Information

Size	Base (A)	Brim (B)	Length	●	●
Small	7 – 9.5 in. (178 × 241 mm)	9 – 14.5 in. (229 – 368 mm)	20 in. (508 mm)	127788	127794
Medium	7.5 – 11 in. (191 × 279 mm)	11 – 18 in. (279 – 457 mm)	21 in. (533 mm)	127790	127796
Large	9.5 – 12 in. (241 × 305 mm)	13 – 21 in. (330 – 533 mm)	22 in. (559 mm)	127792	127798

Foam Covers



Specifications

Material: Polyurethane



Ordering Information

Description	Product Number
Transtibial Foam Cover, Neuter, 21.5 in. (546 mm) B/K	189122

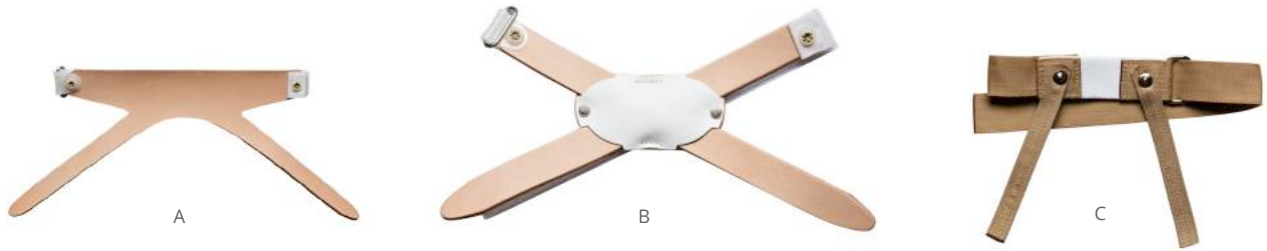


Auxiliary Suspension

PTB Cuff Suspension



TT



Ordering Information

Description	Left	Right
A Non-Adjustable with Velcro	129122	129114
B Adjustable Cross with Velcro	129106	129098
C Pediatric	129630	
Right Transtibial Waist Belt, Circumference 30 – 44 in. (762 – 1117 mm), Adjustable	129148	
Left Transtibial Waist Belt, Circumference 30 – 44 in. (762 – 1117 mm), Adjustable	129155	

RMB Bar Channel Assembly for Supracondylar Suspension



TT

TF

Product Features

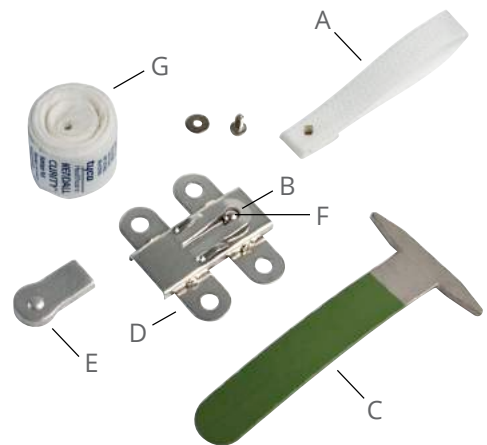
- For removable medial brim with transtibial, supracondylar suspension

Ordering Information

Description	Product Number
RMB Bar Channel Assembly	127001

Replacement Parts

A 127050 – Pull strap with screw and washer	E 127043 – Lamination block
B 127561 – Spring, ball retainer	F 127092 – Ball, ¼
C 127076 – Bar, ½ × ¾, Teflon coated	G 810200 – Gauze, 1 in.
D 127027 – Channel, ½ × ¾	



Description	Product Number
Heavy Duty RMB Bar Channel Assembly	127019

Replacement Parts

A 127050 – Pull strap with screw and washer	E 127043 – Lamination block
B 127561 – Spring, ball retainer	F 127092 – Ball, ¼
C 127078 – Bar, ½ × ¾, Teflon coated	G 810200 – Gauze, 1 in.
D 127035 – Channel, heavy duty, ½ × ¾	

Description	Product Number
Bar Vise Clamp	127100



Femoral Plastisol Condylar Wedges



TT

Product Features

- For transtibial, supracondylar suspension
- Flexible silicone



Ordering Information

Size	Width	Thickness	Product Number
Small	Regular, 2 ¾ in.	⅝ in.	127522
Small	Extra thick, 2 ¾ in.	¾ in.	127530
Medium	Regular, 3 ¼ in.	¾ in.	127548
Medium	Extra thick, 3 ¼ in.	⅞ in.	127555
Medium	X-Extra thick, 3 ¼ in.	1 in.	127563
Medium	X-Extra thick, with Velcro		127557
Large	Regular, 3 ½ in.	¾ in.	127571
Large	Extra thick, 3 ½ in.	1 in.	127597
Large	X-Extra thick, 3 ½ in.	1 ⅛ in.	127589
Large	X-Extra thick, with Velcro		127559

Transtibial Waist Belt



TT

Product Features

- Adjustable circumference, 30 – 44 in. (76 – 112 cm)



Ordering Information

Description	Product Number
Transtibial Waist Belt, Right	129148
Transtibial Waist Belt, Left	129155
Inverted Y Strap	209LSE800

Silesian Belt Kit Transfemoral Belt

TF



Ordering Information

Description	Product Number
Silesian Belt Complete, Reversible Right or Left	129130

Includes:

Webbing Belt with Chafe and D Ring, German Chrome Strap Buckle and Attachment Plate And Screws

Universal Silesian Belt Kit



Ordering Information

Description	Product Number
Universal Silesian Belt Kit	129125

Includes:

Velcro, Chafes, and Loops Ready to Be Fitted and Adapted to Individual Patient

Socket Attachment Plate for Silesian Belt

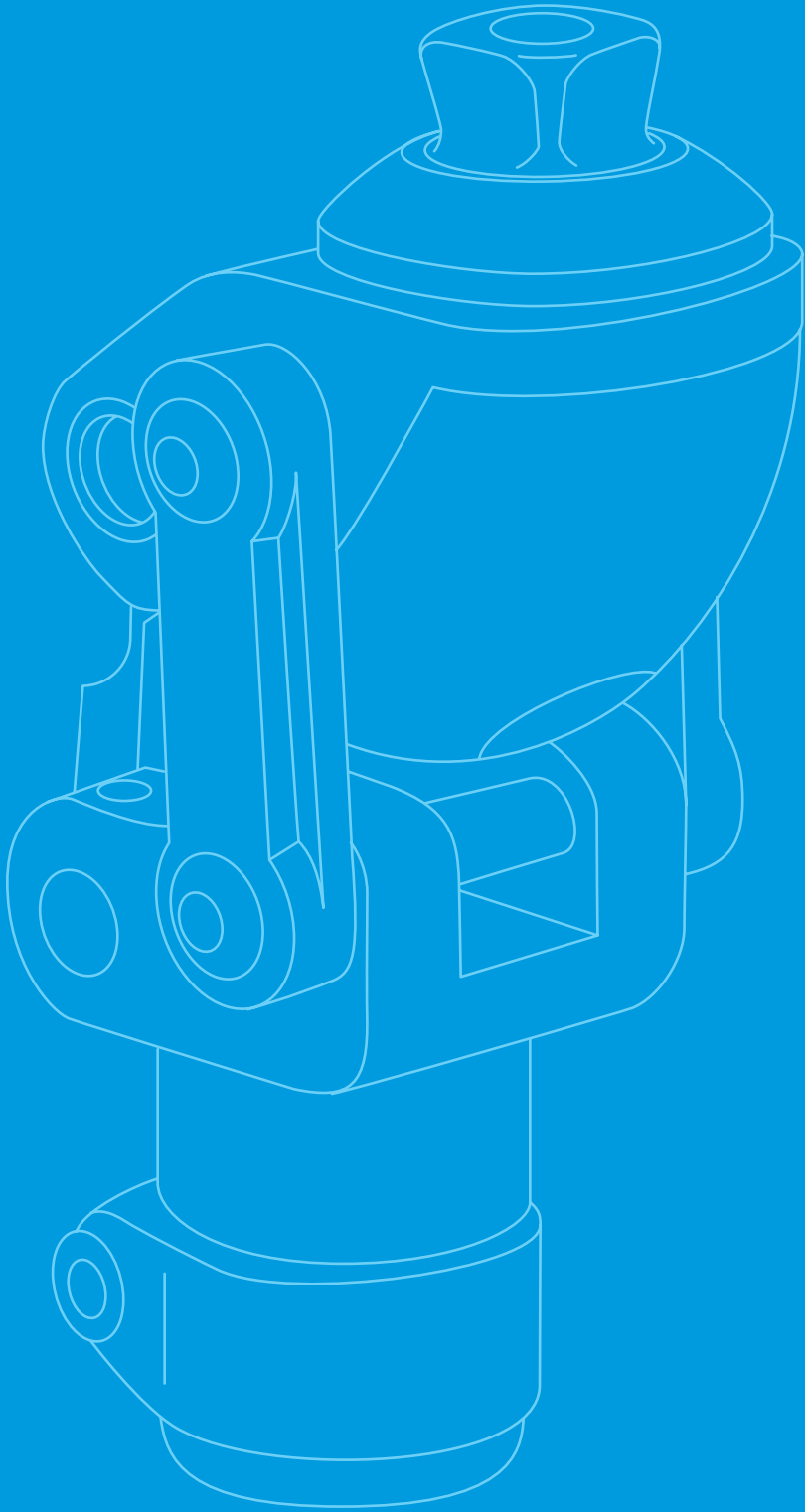


Ordering Information

Description	Product Number
Socket Attachment Plate	129171

Includes:

Washer and Screw



Pediatric

AllPro: Pediatric



- K3
- K4
- TT
- TF

Specifications

Weight limit: 119 lbs. (54 kg)
Heel Height: 0.4 in. (10 mm)
Product weight: 9.6 oz. (273 g)
 Size 20, 8 in.

Build Heights

8.0 in. (20.3 cm)
 6.0 in. (15.2 cm)

Durability: Meets ISO 22675

Product Features

- Versatile foot function adapts to all activities
- Industry-leading flexibility provides excellent plantar and dorsiflexion
- Split Toe for multiaxial movement
- Carbon composite design for dynamic response
- Adjustable heel bumpers
- Sandal toe and a pediatric pyramid in size 19 – 21



Ordering Information

- Includes foot, spectra sock, and instruction manual
- Foot shell ordered separately

Product Number

Replace XX-XX with the correct length and weight details from the table below. For above knee amputees, add “-AK” following the part number. For example, 137-108-26-C5-AK.

Model	Height	Foot Sizes	Product Number
AllPro Foot	6 in. (15.2 cm)	19 – 21 cm	137-106-XX-XX
AllPro Foot	8 in. (20.3 cm)	19 – 21 cm	137-108-XX-XX

Weight		19 cm	20 cm	21 cm
50 – 74 lbs.	23 – 33 kg	19-3A1	20-3A1	21-3A1
75 – 99 lbs.	34 – 44 kg	19-2A1	20-2A1	21-2A1
100 – 119 lbs.	45 – 54 kg	19-A2	20-A2	21-A2

For the complete AllPro range, see page 12.

Pediatric Formula™



K3 **K4** **TT**

Specifications

Weight rating: 125 lbs. (57 kg)

Foot size: 16 – 24 cm

Functional levels: K3 – K4

Product Weight: 9 – 11.6 oz. (255 – 330 g)

Pylon height: 16 in. (41 cm)—can be cut to 9 in. (23 cm)

Build height: 1.5 in. (3.8 cm)

Standard Product Features

- Posterior mount design provides ideal balance of flexibility and power
- Long, carbon-composite pylon delivers lightweight, dynamic response
- Full-split sandal toe offers maximum multiaxial function
- Pylon accommodates growth up to two additional foot plate sizes
- Fits a standard, sandal-toe foot shell

Custom Product Features

- All the benefits of the standard foot
- Slotted pylon allows up to 1 inch of vertical growth
- Simple height adjustment with included mounting bracket



Ordering Information

Pylon

Weight		Standard Pylon	Custom Pylon
30 – 45 lbs.	14 – 20 kg	178-120-5A	178-120-5A-C
46 – 60 lbs.	21 – 27 kg	178-120-4A	178-120-4A-C
61 – 75 lbs.	28 – 34 kg	178-120-3A	178-120-3A-C
76 – 99 lbs.	35 – 45 kg	178-120-2A	178-120-2A-C
100 – 125 lbs.	45 – 57 kg	178-120-A	178-120-A-C

Foot Plate

Foot Size	Left	Right
16 cm	178-120-16L	178-120-16R
17 cm	178-120-17L	178-120-17R
18 cm	178-120-18L	178-120-18R
19 cm	178-120-19L	178-120-19R
20 cm	178-120-20L	178-120-20R
21 cm	178-120-21L	178-120-21R
22 cm	178-120-22L	178-120-22R
23 cm	178-120-23L	178-120-23R
24 cm	178-120-24L	178-120-24R

Posterior Mounting Bracket (Optional)

Included with custom-slotted pylon

Description	Material	Part Number
Pediatric Posterior Mounting Bracket	Aluminum	180-10-3000



MightyMite® SACH Feet



TT

TF

Specifications

Weight limit: 132 lbs. (60 kg)

Product weight (17): 6.4 oz. (182 g)

Build height: 2.5 – 2.625 in. (64 – 67 mm)

Heel height (14 – 17): 0.25 in. (6 mm)

Heel height (18 – 21): 0.375 in. (10 mm)



Product Features

- Smooth appearance
- Shaped ankle
- Reinforced sole and maple keel for durability
- “Webbed” between great and second toe to allow modification for sandal
- Medium durometer heel

Ordering Information

Size	Product Number Left	Product Number Right
14 cm	FC100314L	FC100314R
15 cm	FC100315L	FC100315R
16 cm	FC100316L	FC100316R
17 cm	FC100317L	FC100317R
18 cm	FC100318L	FC100318R
19 cm	FC100319L	FC100319R
20 cm	FC100320L	FC100320R
21 cm	FC100321L	FC100321R

MightyMite® SACH Foot Adapter



Specifications

Weight limit: 132 lbs. (60 kg)

Product weight: 1.2 oz. (33 g)

Build height: 0.75 in. (1.9 cm)

Material: Aluminum with Titanium Pyramid



Ordering Information

Description	Product Number
SACH Foot Adapter, with Medium Titanium Pyramid	FC100110

Replacement Parts

880289 – SACH Foot Bolt, M8 × 1 ¼ × 50, Socket Head Cap Screw

MightyMite® SACH Growth Compensation Spacer



Specifications

Weight limit: 132 lbs. (60 kg)

Product weight: 0.7 oz. (21 g)

Build height: 0.25 in. (6.35 mm)

Material: Aluminum



FC100104

Ordering Information

MightyMite® SACH Growth Compensation Spacer with Lock Washer

Description	Product Number
SACH Foot Growth Compensation Spacer	FC100104

Replacement Parts

880 710 – Lock Washer, ⅜ in. Zinc Plated Steel, 2 Each

MightyMite® 22 mm Pylons



Ordering Information

Note: Titanium Pyramid Receiver recommended for high activity users

Pylon Tubes

Description	Material	Weight	Weight limit	Length	Product Number
Pylon Tube (22 mm)	Aluminium	4.1 oz. (117 g)	99 lbs. (45 kg)	11.8 in. (300 mm)	FC100140
Pylon Tube (22 mm)	Alloy Steel	8.0 oz. (227 g)	132 lbs. (60 kg)	15.75 in. (400 mm)	FC100142

Integrated Tubes

Receiver	Material	Weight	Weight Limit	Length	Product Number
Medium Aluminum Pyramid Receiver (22 mm)	Aluminium	5.4 oz. (153 g)	99 lbs. (45 kg)	11.8 in. (300 mm)	FC100118
Medium Aluminum Pyramid Receiver (22 mm)	Alloy Steel	9.3 oz. (263 g)	132 lbs. (60 kg)	15.75 in. (400 mm)	FC100120
Medium Titanium Pyramid Receiver (22 mm)	Alloy Steel	9.3 oz. (263 g)	132 lbs. (60 kg)	15.75 in. (400 mm)	FC100119
Adult Aluminum Pyramid Receiver (30 mm)	Alloy Steel	9.3 oz. (263 g)	132 lbs. (60 kg)	15.75 in. (400 mm)	FC100121

Replacement Parts

882608 – Set Screw, M6 × 1 × 12 Alloy Flat Point, 4 Each

Accessories

Description	Product Number
Tubing Cutter	220310
Heavy Duty Replacement Wheel	220311
Heavy Duty Replacement Wheel (For Rigid Cutter)	220312

MiniShock



Specifications

Weight limit: 132 lbs. (60 kg)
Product weight: 4.6 oz. (130 g)
Build height: 2.4 in. (60 mm)
Material: Titanium

Product Features

- Minimum clearance
- 0.4 in. (10mm) vertical shock
- 60° of axial rotation (30° in each direction)
- Adapts to 22 mm base components



Ordering Information

Description	Product Number
MiniShock	MS001SS

NOTE: Weights are a suggested guide for torque and shock performance. Individual preference and performance will vary. The dampening ring included with each pylon is used to reduce the amount of rotation and vertical compression.

MightyMite® BK Tube Clamp



Specifications

Diameter: 22 mm



FC100123

FC100124

Ordering Information

Description	Material	Weight Limit	Product Weight	Build Height	Product Number
Tube Clamp	Titanium	132 lbs. (60 kg)	1.6 oz. (46 g)	1.6 in. (41 mm)	FC100123
Tube Clamp for Large Pyramid	Aluminum	132 lbs. (60 kg)	1.6 oz. (45 g)	1.7 in. (43 mm)	FC100124

Replacement Parts

- 882608 – Set Screw, M6 × 1 × 12 Alloy Flat Point, 4 Each
- 882418 – Screw, M4 × 0.7 × 14 Alloy Socket Head Cap Screw, 1 Each

MightyMite® 4-Hole Adapter



TT TF

Specifications

Weight limit: 132 lbs. (60 kg)

Product weight: 1.4 oz. (39 g)

Build height: 0.29 in. (7 mm)

Material: Aluminum with Titanium Pyramid



Ordering Information

Description	Product Number
4-Hole Adapter, with Medium Titanium Pyramid, Pediatric 4-Hole Pattern	FC100114

MightyMite® 4-Hole Distal Attachment Blocks



TT TF

Specifications

Weight limit: 132 lbs. (60 kg)



FC100150



FC100151

Ordering Information

Description	Material	Product Weight	Build Height	Product Number
4-Hole Distal Attachment Block Kit	Composite Glass Filled Polycarbonate	1.1 oz. (30 g)	0.56 in. (14 mm)	FC100150
4-Hole Distal Attachment Block	Aluminum	2.3 oz. (64 g)	0.49 in. (12 mm)	FC100151

MightyMite® Alignment Adapter



Specifications

Material: Aluminum



Ordering Information

Description	Product Number
Alignment Adapter	FC100160

MightyMite® BK Socket Adapter



Specifications

Weight limit: 132 lbs. (60 kg)

Product weight: 1.4 oz. (39 g)

Build height: 0.27 in. (7 mm)

Material: Aluminum with Titanium Pyramid



Ordering Information

Description	Product Number
BK Socket Adapter, with Medium Titanium Pyramid	FC100152

Replacement Parts

122053 – BK Adapter Lamination Cap

MightyMite® Rotatable Pyramid Receiver



TT TF

Specifications

Material: Aluminum



FC100134



FC100135

Ordering Information

Description	Weight Limit	Product Weight	Build Height	Product Number
Rotatable Medium Pyramid Receiver	132 lbs. (60 kg)	0.9 oz. (27 g)	0.52 in. (13 mm)	FC100134
Rotatable Pyramid	132 lbs. (60 kg)	1.2 oz. (35 g)	0.12 in. (3 mm)	FC100135

MightyMite® 4-Hole Adapter with Rotation



TT TF

Specifications

Material: Aluminum



Ordering Information

Description	Weight Limit	Build Height	Product Weight	Product Number
Pediatric 4-Hole Adapter, with Rotation	132 lbs. (60 kg)	0.33 in. (8.5 mm)	0.9 oz. (25 g)	FC100132

MightyMite® AK Socket Adapter



TT TF

Specifications

Material: Stainless Steel



Ordering Information

Description	Weight Limit	Product Weight	Build Height	Product Number
AK Socket Adapter, with Rotation	132 lbs. (60 kg)	2.5 oz. (70 g)	0.38 in. (10 mm)	FC100130

MightyMite® 4-Bar Knee



K3 **K4** **TF**

Specifications

- Weight limit: 132 lbs. (60 kg)
- Product weight: 9.1 oz. (258 g)
- Build height: 3.75 in. (95 mm)
- Material: Aluminum

Product Features

- Adjustable extension assist
- Standard pediatric 22 mm pylon receiver on distal end
- Multiple proximal attachment options
- Permits adapter rotation at top of knee



FC100510



FC100500

Ordering Information

Description	Product Number
4-Bar Knee, Includes Pyramid Adapter	FC100510
4-Bar Knee, without Proximal Attachment	FC100500

MightyMite® 4-Bar Knee Proximal Attachments



TF

Specifications

- Weight limit: 132 lbs. (60 kg)

Ordering Information

Description	Material	Product Weight	Build Height	Product Number
Pyramid Adapter	Titanium	1.4 oz. (41 g)	0.1 in. (3 mm)	FC100501
Slide Adapter	Aluminum	2.4 oz. (69 g)	0.6 in. (15 mm)	FC100502
4-Hole Adapter	Aluminum	1.5 oz. (43 g)	0.2 in. (5 mm)	FC100503
Threaded Adapter	Aluminum	1.2 oz. (33 g)	0 in. (0 mm)	FC100504
4-Hole Plate with Male Dovetail	Aluminum	1.4 oz. (40 g)	0.2 in. (5 mm)	FC100505



FC100501



FC100502



FC100503



FC100504



FC100505

Small Modular Shuttle Lock with Delrin Housing



TT

Specifications

Weight limit: None

Product Weight: 1.1 oz. (32 g)

Build Height: 0.9 in. (22 mm)

Material: Delrin



Ordering Information

Description	Product Number
Small Delrin Shuttle Lock Kit 1.0 in. (25 mm) Plunger, ¼-20 Thread	125410
Small Delrin Shuttle Lock Kit 1.5 in. (38 mm) Plunger, ¼-20 Thread	125412
Small Delrin Shuttle Lock Kit 1.0 in. (25 mm) Plunger, M10 Thread	125410MM
Small Delrin Shuttle Lock Kit 1.5 in. (38 mm) Plunger, M10 Thread	125412MM

Replacement Parts

809810 – Shuttle Lock Body, Small	809729 – Latch Pin
809760 – Compression Spring	809775 – Latch Pin Button
809816 – Shuttle Lock	809773 – Guide Screw
809820 Housing	880033 – 6-32 × 5/16 in. Socket Head Set Screw
809784 – Shield	

Shuttle lock sub assembly

Description	Product Number
Shuttle Lock Sub Assembly	809808

Replacement Parts

809810 – Shuttle Body	809760 – Compression Spring
809816 – Shuttle Lock	880033 – 6-32 × 5/16 in. Socket Head Set Screw

Fabrication Kit – Thermoforming and Lamination

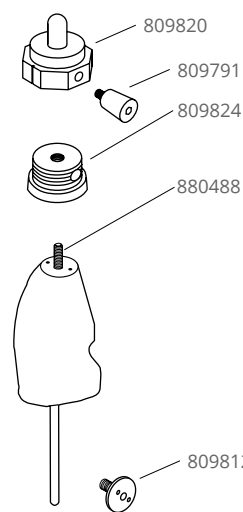
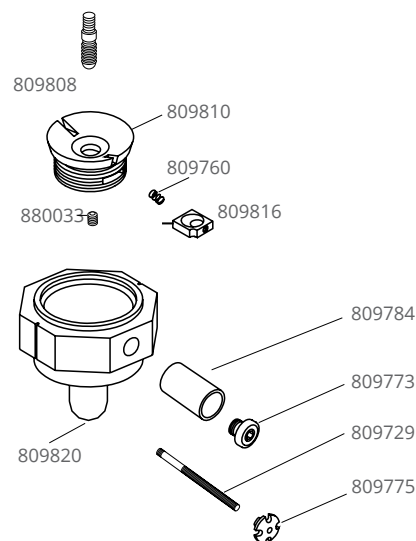
Description	Product Number
Fabrication Kit	125420

Replacement Parts

809824 – Housing Dummy	809791 – Button Shield Dummy
880488 – ¼-20 × 2 in. Socket Head Set Screw	809812 – Button Shield Substitute

Small delrin Plungers

Description	Product Number
Plunger, 1.0 in. (25 mm), ¼-20 Thread	809826
Plunger, 1.5 in. (38 mm), ¼-20 Thread	809827
Plunger, 1.0 in. (25 mm), M10 Thread	809826MM
Plunger, 1.5 in. (38 mm), M10 Thread	809827MM



Feet

Adapters

Valves

Locks

Sleeves & Liners

Knees

Cosmetic Solutions

Auxiliary Suspension

Pediatric

MightyMite® Modular Shuttle Lock with Titanium Pyramid



Specifications

Weight limit: 132 lbs. (60 kg)

Product Weight: 2.7 oz. (76 g)

Build Height: 1.25 in. (32 mm)

Material: Titanium pyramid, Aluminum housing



Ordering Information

Description	Product Number
Titanium Pyramid Shuttle Lock, without Plunger	FC100202

Replacement Parts

122102 – Housing	809775 – Latch Pin Button
809810 – Shuttle Body	809816 – Shuttle Lock
809784 – Button Shield	809760 – Compression Spring
809773 – Guide Screw	880033 – 6-32 × 5/16 in. Socket Head Set Screw
809729 – Latch Pin	122053 – Lamination Cap

Shuttle Lock Sub Assembly

Description	Product Number
Shuttle Lock Sub Assembly	809808

Replacement Parts

809810 – Shuttle Body	809760 – Compression Spring
809816 – Shuttle Lock	880033 – 6-32 × 5/16 in. Socket Head Set Screw

Fabrication Kit – Thermoforming and Lamination

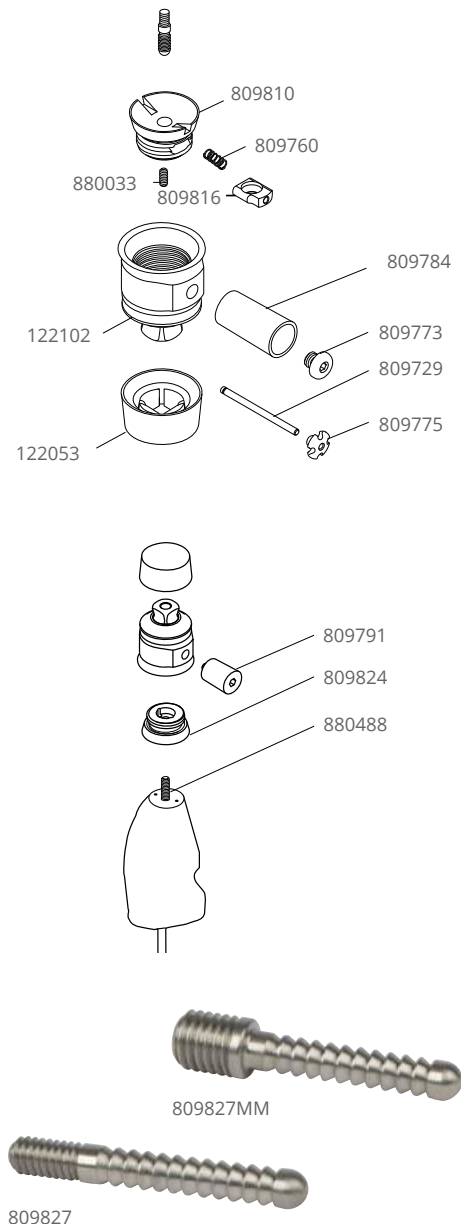
Description	Product Number
Fabrication kit	125420

Replacement Parts

809824 – Shuttle Body Dummy
809791 – Button Shield Dummy
880488 – 1/4-20 × 2 in. Socket Head Set Screw

Plungers

Description	Product Number
Plunger 1.0 in. (25 mm), with 1/4-20 Thread	809826
Plunger 1.5 in. (38 mm), with 1/4-20 Thread	809827
Plunger 1.0 in. (25 mm), with M10 Thread	809826MM
Plunger 1.5 in. (38 mm), with M10 Thread	809827MM



Feet

Adapters

Valves

Locks

Sleeves & Liners

Knees

Cosmetic Solutions

Auxiliary Suspension

Pediatric

MightyMite® Shuttle Lock with Cylindrical Housing



TT

Specifications

Weight limit: 132 lbs. (60 kg)

Product Weight: 2.8 oz. (79 g)

Build Height: 1 in. (25 mm)

Material: Delrin



Ordering Information

Description	Product Number
Cylindrical Housing Shuttle Lock, without Plunger	FC100204

Replacement Parts

122104 – Cylindrical Housing, Upper	809729 – Latch Pin
122105 – Cylindrical Housing, Lower	809775 – Latch Pin Button
809784 – Button Shield	809773 – Guide Screw
809810 – Shuttle Lock Body, Small	880033 – 6-32 × 5/16 in. Socket Head Set Screw
809760 – Compression Spring	880271 – M5 × 0.8 × 18 Flat Head Socket Cap
809816 – Shuttle Lock	882510 – M5 × 0.8 × 18 Socket Head Cap Screw
809820 Housing	809830 – 2 in. Diameter Housing Adhesive Seal
809784 – Shield	880251 – 3/8 Stainless Steel Sheet Metal Screw (4)

Shuttle Lock Sub Assembly

Description	Product Number
Shuttle Lock Sub Assembly	809808

Replacement Parts

809 810 – Shuttle Body	809 760 – Compression Spring
809 816 – Shuttle Lock	880 033 – 6-32 × 5/16 in. Socket Head Set Screw

Fabrication Kit – Thermoforming and Lamination

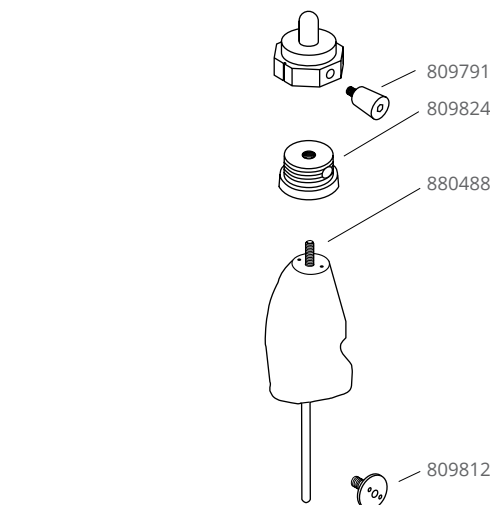
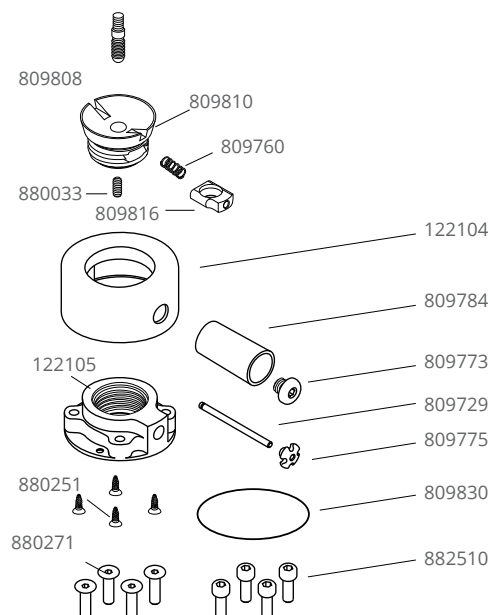
Description	Product Number
Fabrication Kit	125420

Replacement Parts

809824 – Housing Dummy	809791 – Button Shield Dummy
880488 – 1/4-20 × 2 in. Socket Head Set Screw	809812 – Button Shield Substitute

Plungers

Description	Product Number
Plunger, 1.0 in. (25 mm), with 1/4-20 Thread	809826
Plunger, 1.5 in. (38 mm), with 1/4-20 Thread	809827
Plunger, 1.0 in. (25 mm), with M10 Thread	809826MM
Plunger, 1.5 in. (38 mm), with M10 Thread	809827MM



Feet

Adapters

Valves

Locks

Sleeves & Liners

Knees

Cosmetic Solutions

Auxiliary Suspension

Pediatric

Mini Shuttle Lock



Specifications

Weight limit: None

Product Weight: 1.1 oz. (32 g)

Build Height: 0.8 in. (21 mm)

Material: Delrin



Ordering Information

Description	Product Number
Mini Shuttle Lock Kit 1.0 in. (25 mm) Plunger, ¼-20 Thread	125450
Mini Shuttle Lock Kit 1.0 in. (25 mm) Plunger, M6 Thread	125450MM

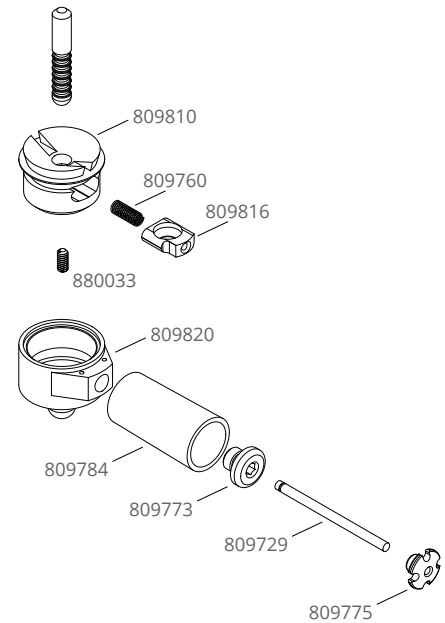
Replacement Parts

809760 – Compression Spring	809775 – Latch Pin Button
809816 – Shuttle Lock	809773 – Guide Screw
809784 – Shield	880033 – 6-32 × 5/16 in. Socket Head Set Screw
809729 – Latch Pin	

Shuttle lock sub assembly

Description	Product Number
Shuttle Lock Sub Assembly	809808

Replacement Parts	
809810 – Shuttle Body	809760 – Compression Spring
809816 – Shuttle Lock	880033 – 6-32 × 5/16 in. Socket Head Set Screw



Fabrication Kit – Thermoforming and Lamination

Description	Product Number
Fabrication Kit	125445

Replacement Parts	
880488 – ¼-20 × 2 in. Socket Head Set Screw	809812 – Button Shield Substitute
809791 – Button Shield Dummy	

Small Delrin Plungers

Description	Product Number
Plunger, 1.0 in. (25 mm), ¼-20 Thread	809826
Plunger, 1.5 in. (38 mm), ¼-20 Thread	809827
Plunger, 1.0 in. (25 mm), M6 Thread	809823MM
Plunger, 1.5 in. (38 mm), M6 Thread	809825MM
Plunger, 1.0 in. (25 mm), M10 Thread	809826MM
Plunger, 1.5 in. (38 mm), M10 Thread	809827MM



Feet

Adapters

Valves

Locks

Sleeves & Liners

Knees

Cosmetic Solutions

Auxiliary Suspension

Pediatric

Index by Description

Symbols

4-Bar Knee	78, 97
4-Bar Knee Proximal Attachments	78, 97
4-Hole Adapter	31, 94
4-Hole Adapter with Rotation	33, 96
4-Hole Distal Attachment Block	94
4-Hole Pyramid Adapter	32
4-Prong Adapter	37
22 mm Pylon	92
30 mm Pylon	28
34 mm Pylon	36

A

Above Knee Rotatable Socket Adapters	35
Absolute Preflexed Sleeve	66
Absolute Straight Sleeve	67
Absolute Straight Sleeve – No Fabric	68
Aeris Performance 2	18
Aeris Performance LP	19
Air Expulsion Valve	41
AK Socket Adapter	96
Alignment Adapter	95
AllPro	12, 13
AllPro: Pediatric	88
AllPro: Posterior Mount	14
ALP-ALU 4-Hole Adapter	31
Aluminum 30 mm Pylon	28

B

Bar Channel Assembly for Supracondylar Suspension	84
BK Socket Adapter	95

C

Clutch Lock Plungers	62
Clutch Lock with Cylindrical 4-Hole Housing	60
Clutch Lock with Delrin Housing	59
Clutch Lock with Titanium Pyramid	58
Condylar Wedges	85
Cord Lock	63
CSS Valve	45
CSS Valve Kit with Pyramid Lamination Adapter	45
CTFV – CSF Valve	44
Custom Made Liner	69
Cylindrical Lock	54

D

Distal Attachment Block	94
Double Adapter Pyramid Male / Female	32
Dream Skin	80
Dual Adapter	32
DuraShock	29
DuraShock Short	30

E

Element	22
Element DS	21
Endurance Hydraulic 160 Knee System	72
Expanded Pe-Lite™ Leg Covers for Transtibial Prosthesis	81

F

Femoral Plastisol Condylar Wedges	85
Foam Covers	81
Foam Fairings for Transtibial Prosthesis	81
Formula™	15
Friction Knee	76

G

Gator Grip Cylindrical Lock	57
Gator Grip Delrin Lock	56
Gator Grip Plungers	62
Gator Grip with Ti Pyramid Lock	55

H

Hydraulic Control	73
Hydraulic Knee	72

I

Ibex XD	20
---------	----

K

K2 Foot	24
---------	----

L

Lanyard Plunger	62
Latch Pins	63
Leak-Rate Total Contact Valve	42
Lock Device Plungers	62
Locking Knee	75, 77

M

MightyMite® 4-Bar Knee	78, 97
MightyMite® 4-Bar Knee Proximal Attachments	78, 97
MightyMite® 4-Hole Adapter	94
MightyMite® 4-Hole Adapter with Rotation	96
MightyMite® 4-Hole Distal Attachment Block	94
MightyMite® 22 mm Pylons	92
MightyMite® AK Socket Adapter	96
MightyMite® Alignment Adapter	95
MightyMite® BK Socket Adapter	95
MightyMite® BK Tube Clamp	93
MightyMite® Modular Shuttle Lock with Titanium Pyramid	99
MightyMite® Rotatable Pyramid Receiver	96
MightyMite® SACH Feet	90
MightyMite® SACH Foot Adapter	91
MightyMite® SACH Growth Compensation Spacer	91
MightyMite® Shuttle Lock with Cylindrical Housing	100
MiniShock	93
Mini Shuttle Lock	101
Modular Shuttle Lock with 4-Hole Housing	53
Modular Shuttle Lock with Cylindrical Housing	52
Modular Shuttle Lock with Delrin Housing	51, 98
Modular Shuttle Lock with Titanium Pyramid	50, 99
Motion Foot® MX	25

O

Original Shuttle Lock	49
-----------------------	----

P

Pediatric Formula	89
Pe-Lite™ Leg Covers for Transtibial Prosthesis	81
Plastic and Aluminum Screw-In Suction Valve	41
Plastisol Condylar Wedges	85
Plungers	62
Pneumatic Knee	74
Preflexed Sleeve	66
Proximal Attachments	78, 97
PTB Cuff Suspension	84
Pylon	28, 36
Pylons	92
Pylon Tube Clamp with Pyramid Receiver	31
Pyramid	32
Pyramid Adapter, Rotatable	33
Pyramid Lamination Adapter	45
Pyramid Receiver	96

R

Red Dot Air Expulsion Valve	41
RMB Bar Channel Assembly for Supracondylar Suspension	84
Rotatable Adapter	33

Rotatable Pyramid Adapter	33
Rotatable Pyramid Receiver	96
Rotator	35

S

SACH Feet	90
SACH Foot Adapter	91
SACH Growth Compensation Spacer	91
S.A.F.K. (Single Axis Friction Knee)	76
S.A.L.K. (Single Axis Locking Knee)	77
Scandinavian Flexible Socket	43
Screw-In Suction Valve	41, 42
S.F.S. Valve	43
Shuttle Lock Plungers	62
Shuttle Lock with Cylindrical Housing	100
Shuttle Vac	61
Sierra Screw-In Suction Valve	42
Silesian Belt Kit	86
Silesian Belt Kit Transfemoral Belt	86
Single Axis Friction Knee	76
Single Axis Locking Knee	77
Small Delrin Shuttle Lock Plungers	62
Small Modular Shuttle Lock with Delrin Housing	98
Socket Adapter	95, 96
Socket Attachment Plate for Silesian Belt	86
Spectrum EX 4-Bar Pneumatic Knee	74
Straight Sleeve	67, 68
Suction Valve	42
Supracondylar Suspension	84

T

Total Contact Valve	42
Transfemoral Belt	86
Trans-femoral Rotator	35
Transtibial Waist Belt	85
Tube Clamp	93
Tube Clamp Adapter for 34 mm Tube	36
Tube Clamp with Pyramid Receiver	31

U

Universal Silesian Belt Kit	86
-----------------------------	----

V

Waist Belt	85
W.A.L.K. (Weight Activated Locking Knee)	75
Wave Comfort 3	23
Wedges	85
Weight Activated Locking Knee	75

X

XD Heavy Duty 4-Prong Adapter 37
XD Heavy Duty 34 mm Pylon 36
XD Heavy Tube Clamp Adapter for 34 mm Tube..... 36

Index by Part Number

45-XX-13-03-3	12 – 13, 16 – 25	52002	38	62882	25
45-XX-13-09-3	12 – 13, 16 – 25	52211	75	62883	25
45-XX-13-13-3	12 – 13, 16 – 25	52290	38	62884	25
45-XX-13-99-3	12 – 13, 16 – 25	52351	36, 38	62885	25
46-XX-13-03-3	12 – 13, 16 – 25	56191	79	62886	25
46-XX-13-09-3	12 – 13, 16 – 25	58607	76	62916	25
46-XX-13-13-3	12 – 13, 16 – 25	60254	74	62917	25
46-XX-13-99-3	12 – 13, 16 – 25	60416	74	62918	25
100-10-XX-XXX	20	60471	79	62919	25
100-40-4000	15	60475	79	62920	25
105-10-XX-XXXX	19	60709	77 – 78	62921	25
120-10-XX-XXXX	18	60785	77	62922	25
122-10-XX-XX	16	60794	77	62923	25
123-10-XX-X	17	60821	78	70465	75
131-10-XX-X	22	60823	78	124171	59
134-03L-XX-X	23	60825	77 – 78	125032	33
134-03R-XX-X	23	60847	79	125034	33
134-09L-XX-X	23	61088	79	125202	49
134-09R-XX-X	23	61240	76	125204	44, 49
134-13L-XX-X	23	61242	76	125229	44 – 45
134-13R-XX-X	23	61243	76	125232	45
134-99L-XX-X	23	61245	76	125232MM	45
134-99R-XX-X	23	61246	76	125234	45
135-10-XX-XXX	21	61336	76	125234MM	45
137-106-XX-XX	92	61337	76	125237	45
137-108-XX-XX	92	61338	76	125237MM	45
137-PM-XX-XX	13	61339	76	125239	44 – 48
174-110-X	15	61570	76	125240	44, 50
174-120-X	15	61786	76	125241	50
176-110-X	15	62041	74	125410	44, 104
178-110-2A	14	62202	74	125410MM	104
178-110-A	14	62203	74	125412	104
178-110-B	14	62204	74	125412MM	104
178-110-C	14	62205	74	125420	44, 102 – 103, 104
178-110-D	14	62662	30	125459	44, 47
178-110-E	14	62762	30	125460	44, 46
178-110-F	14	62763	30	125461	44, 49
180-10-2010	13	62869	25	125462	44, 48
180-10-2010	14	62870	25	125540	59
180-10-2010	15	62871	25	125900	57
180-10-2010	22	62872	25	126100	18, 32
209LSE800	88	62873	25	126120	18, 32
50427	79	62874	25	126133	18, 34
51936	36	62875	25	127001	87
51936	37	62876	25	127019	87
51971	36 – 37	62877	25	127100	87
51980	37	62878	25	127522	88
51981	38	62879	25	127530	88
51982	36, 38	62880	25	127548	88
52001	38	62881	25	127555	88

127557	88	220312	34, 96	809867	44, 50
127559	88	238024	33	809922	58 – 59
127563	88	421221R/YXX4	82	809922MM	58 – 59
127571	88	421222R/YXX4	82	809925	58 – 59
127589	88	421223R/YXX4	82	809925MM	58 – 59
127597	88	421224R/YXX4	82	809927	58 – 59
127788	83	423241R/YXX4	82	809927MM	59
127790	83	423242R/YXX4	82	5020020	24
127792	83	423243R/YXX4	82	5020021	24
127794	83	423244R/YXX4	82	5020022	24
127796	83	425261R/YXX4	82	5020023	24
127798	83	425262R/YXX4	82	5020024	24
129098	86	425263R/YXX4	82	5020025	24
129106	86	425264R/YXX4	82	5020026	24
129114	86	427281R/YXX4	82	5020027	24
129122	86	427282R/YXX4	82	5020028	24
129125	89	427283R/YXX4	82	5020029	24
129130	89	427284R/YXX4	82	5020030	24
129148	86	429301R/YXX4	82	5020031	24
129148	88	429302R/YXX4	82	5020032	24
129155	86	429303R/YXX4	82	5020034	24
129155	88	429304R/YXX4	82	5020035	24
129171	89	807388	39	5020036	24
129625	86	807453	39	5020037	24
129628	86	807461	39	5020038	24
129630	86	807479	36, 39	5020039	24
140000	44, 55	807480	36, 39	5020040	24
140010	44, 54	807487	36, 39	5020041	24
140020	44, 56	807488	36, 39	5020042	24
140040	54 – 56, 58	809718	58	5020043	24
140041	54 – 56, 58	809720MM	45 – 47, 49 – 50, 58	5020044	24
140043	54 – 56, 58	809721MM	45 – 46, 49, 58	5020046	24
140044	54 – 56, 58	809722	45 – 50, 58	5020047	24
140065	44, 56	809722MM	45 – 50, 58	5020048	24
141001	44, 52	809725	45 – 50, 58	611200003	82
141002	44, 51	809725MM	45 – 50, 58	721000035	36, 40
141003	44, 53	809727	45 – 50, 58	721000039	36, 40
141009	53	809727MM	45 – 50, 58	721000060	36, 41
141010	51 – 53, 58	809728	59	721000089	36, 41
141011	51 – 53, 58	809729	59	721000090	41
141012	51 – 53, 58	809731	59	721000091	41
141015	51 – 53, 58	809734	59	731000863	42
141016	51 – 53, 58	809746	47 – 48	731162126	31
141017	51 – 53, 58	809768	58	731200001	60
141020	44, 51 – 52	809770	58	731200016	60
141021	44, 53	809771	58	731200017	60
189112	83	809808	102 – 104	801100301	71
189116	83	809823MM	58	801100302	71
189117	83	809825MM	58	801100401	71
189118	83	809826	58, 102 – 104	801100402	71
189122	83	809826MM	58, 102 – 104	801111314	70
220310	34, 96	809827	58, 102 – 104	801111318	70
220311	34, 96	809827MM	58, 102 – 104	801111322	70

Feet
 Adapters
 Valves
 Locks
 Sleeves & Liners
 Knees
 Cosmetic Solutions
 Auxiliary Suspension
 Pediatric

801111326.....	70	802100401.....	71	803471326.....	62
801111332.....	70	802100402.....	71	803471332.....	62
801111340.....	70	802761302.....	67	803471340.....	62
801211614.....	70	802761303.....	67	804761301.....	68
801211618.....	70	802761304.....	67	804761302.....	68
801211622.....	70	802761305.....	67	804761303.....	68
801211626.....	70	802761307.....	67	804761304.....	68
801211632.....	70	802761308.....	67	804761305.....	68
801211640.....	70	802771302.....	67	804761307.....	68
801761301.....	69	802771303.....	67	804761308.....	68
801761302.....	69	802771304.....	67	804771301.....	68
801761303.....	69	802771305.....	67	804771302.....	68
801761304.....	69	802771307.....	67	804771303.....	68
801761305.....	69	802771308.....	67	804771304.....	68
801761307.....	69	802861602.....	67	804771305.....	68
801761308.....	69	802861603.....	67	804771307.....	68
801771301.....	69	802861604.....	67	804771308.....	68
801771302.....	69	802861605.....	67	804861601.....	68
801771303.....	69	802861607.....	67	804861602.....	68
801771304.....	69	802861608.....	67	804861603.....	68
801771305.....	69	802871602.....	67	804861604.....	68
801771307.....	69	802871603.....	67	804861605.....	68
801771308.....	69	802871604.....	67	804861607.....	68
801861601.....	69	802871605.....	67	804861608.....	68
801861602.....	69	802871607.....	67	804861901.....	69
801861603.....	69	802871608.....	67	804861902.....	69
801861604.....	69	802961602.....	67	804861903.....	69
801861605.....	69	802961603.....	67	804861904.....	69
801861607.....	69	802961604.....	67	804861905.....	69
801861608.....	69	802961605.....	67	804871601.....	68
801871601.....	69	802961607.....	67	804871602.....	68
801871602.....	69	802961608.....	67	804871603.....	68
801871603.....	69	802971602.....	67	804871604.....	68
801871604.....	69	802971603.....	67	804871605.....	68
801871605.....	69	802971604.....	67	804871607.....	68
801871607.....	69	802971605.....	67	804871608.....	68
801871608.....	69	802971607.....	67	804871901.....	69
801961601.....	69	802971608.....	67	804871902.....	69
801961602.....	69	803311314.....	64	804871903.....	69
801961603.....	69	803311318.....	64	804871904.....	69
801961604.....	69	803311322.....	64	804871905.....	69
801961605.....	69	803311326.....	64	804961601.....	68
801961607.....	69	803311332.....	64	804961602.....	68
801961608.....	69	803311340.....	64	804961603.....	68
801971601.....	69	803461314.....	62	804961604.....	68
801971602.....	69	803461318.....	62	804961605.....	68
801971603.....	69	803461322.....	62	804961607.....	68
801971604.....	69	803461326.....	62	804961608.....	68
801971605.....	69	803461332.....	62	804971601.....	68
801971607.....	69	803461340.....	62	804971602.....	68
801971608.....	69	803471314.....	62	804971603.....	68
802100301.....	71	803471318.....	62	804971604.....	68
802100302.....	71	803471322.....	62	804971605.....	68

804971607.....	68	809771303.....	65	FC100118.....	34, 96
804971608.....	68	809771304.....	65	FC100119.....	34, 96
805761301.....	66	809771305.....	65	FC100120.....	34, 96
805761302.....	66	809771307.....	65	FC100121.....	34, 96
805761303.....	66	809771308.....	65	FC100123.....	97
805761304.....	66	809861601.....	65	FC100130.....	100
805761305.....	66	809861602.....	65	FC100132.....	101
805761307.....	66	809861603.....	65	FC100134.....	100 – 101
805761308.....	66	809861604.....	65	FC100140.....	34, 96
805771301.....	66	809861605.....	65	FC100142.....	34, 96
805771302.....	66	809861607.....	65	FC100144.....	100 – 101
805771303.....	66	809861608.....	65	FC100150.....	98
805771304.....	66	809871601.....	65	FC100152.....	99
805771305.....	66	809871602.....	65	FC100160.....	98
805771307.....	66	809871603.....	65	FC100202.....	44, 103
805771308.....	66	809871604.....	65	FC100204.....	44, 102
805861601.....	66	809871605.....	65	FC100314L.....	93
805861602.....	66	809871607.....	65	FC100314R.....	93
805861603.....	66	809871608.....	65	FC100315L.....	93
805861604.....	66	809961601.....	65	FC100315R.....	93
805861605.....	66	809961602.....	65	FC100316L.....	93
805861607.....	66	809961603.....	65	FC100316R.....	93
805861608.....	66	809961604.....	65	FC100317L.....	93
805871601.....	66	809961605.....	65	FC100317R.....	93
805871602.....	66	809961607.....	65	FC100318L.....	93
805871603.....	66	809961608.....	65	FC100318R.....	93
805871604.....	66	809971601.....	65	FC100319L.....	93
805871605.....	66	809971602.....	65	FC100319R.....	93
805871607.....	66	809971603.....	65	FC100320L.....	93
805871608.....	66	809971604.....	65	FC100320R.....	93
805961601.....	66	809971605.....	65	FC100321L.....	93
805961602.....	66	809971607.....	65	FC100321R.....	93
805961603.....	66	809971608.....	65	FC100500.....	80, 95
805961604.....	66	DS001L.....	28	FC100501.....	80, 95
805961605.....	66	DS001S.....	28	FC100502.....	80, 95
805961607.....	66	DS001SC.....	29	FC100503.....	80, 95
805961608.....	66	DS001SS.....	29	FC100504.....	80, 95
805971601.....	66	DS002L.....	28	FC100504.....	101
805971602.....	66	DS002S.....	28	FC100505.....	80, 95, 97
805971603.....	66	DS002SC.....	29	FC100510.....	80, 95
805971604.....	66	DS002SS.....	29	MS001SS.....	30, 101
805971605.....	66	DS003L.....	28		
805971607.....	66	DS003S.....	28		
805971608.....	66	DS003SC.....	29		
809761301.....	65	DS003SS.....	29		
809761302.....	65	DS004L.....	28		
809761303.....	65	DS004S.....	28		
809761304.....	65	DS004SS.....	29		
809761305.....	65	FC100104.....	94		
809761307.....	65	FC100106.....	96, 101		
809761308.....	65	FC100108.....	94, 96, 101		
809771301.....	65	FC100110.....	94		
809771302.....	65	FC100114.....	99		

Feet

Adapters

Valves

Locks

Sleeves & Liners

Knees

Cosmetic Solutions

Auxiliary Suspension

Pediatric

Feet

Adapters

Valves

Locks

Sleeves & Liners

Knees

Cosmetic Solutions

Auxiliary Suspension

Pediatric